



Magic r9000

150Mbps Wireless N
Broadband AP Router



- * Please remove any ADSL USB Modem Driver or dial-up software and disable the firewall. As they may cause connection problem.
- * This quick installation is meant to help you to install the product quickly and easily. For further information, please refer to the User Manual

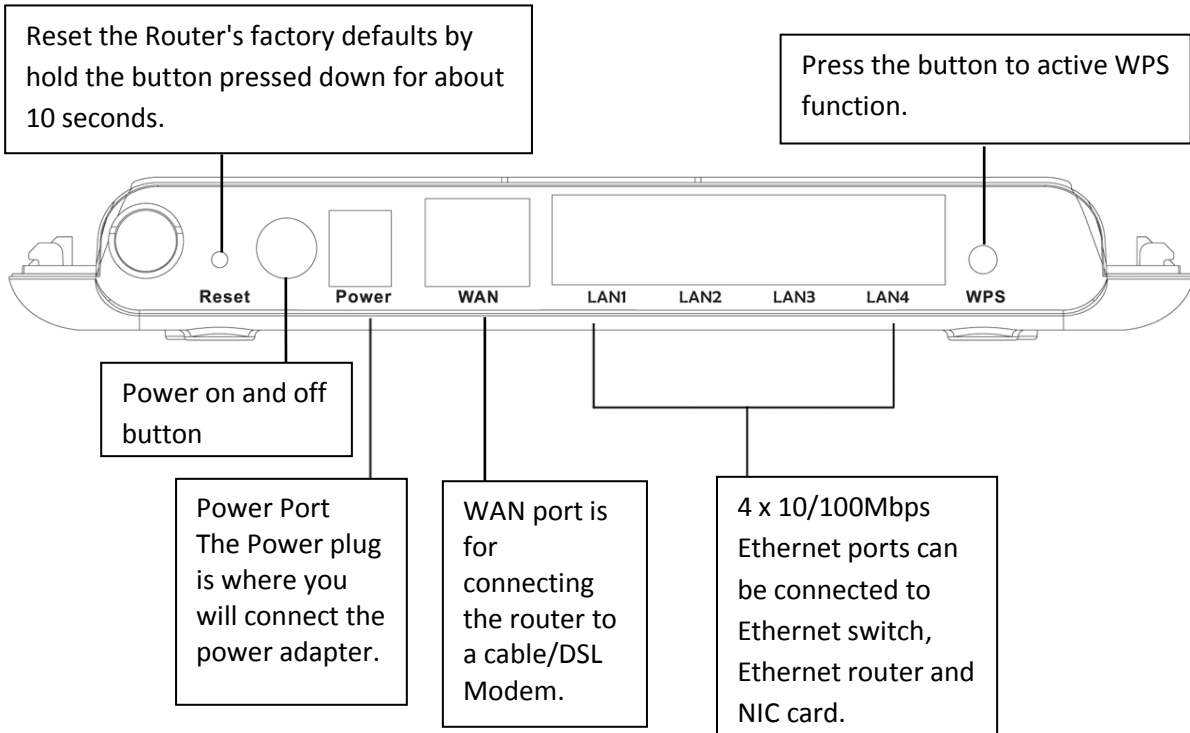
Quick Installation Guide

Package Contents

- One Wireless N Broadband AP Router
- One Ethernet Cable
- One Quick Installation Guide
- One Power Adapter
- One CD-ROM with User's Manual



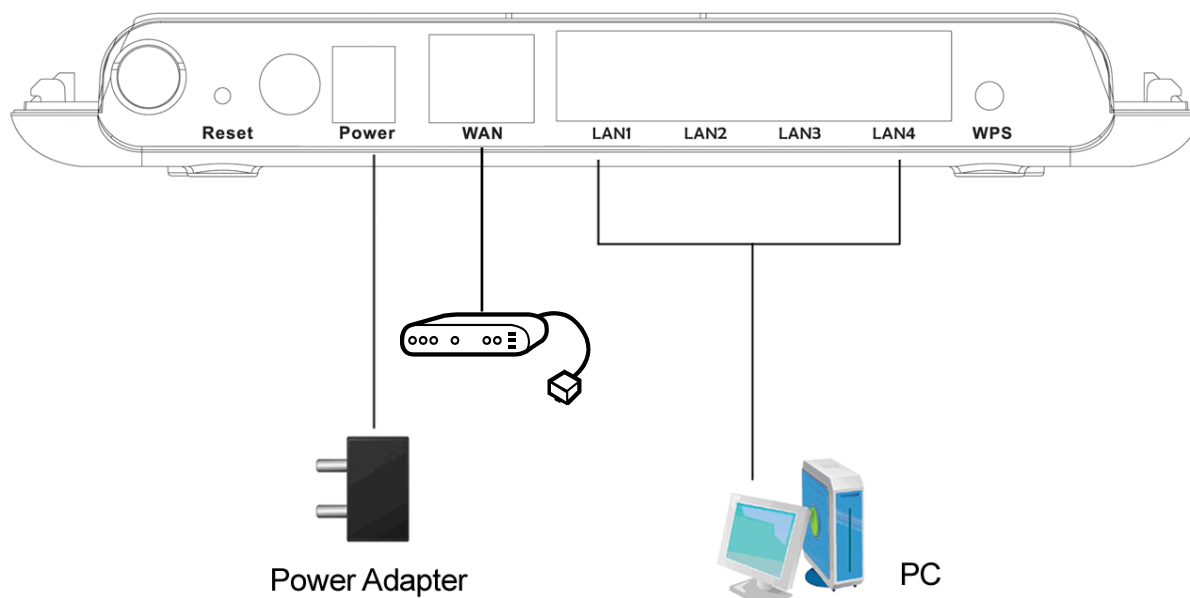
Indicator	Color	Status	Description
Power	Green	On	Power is on.
	-	Off	Power is off or the device is down.
WLAN	Green	Blink	Data is being transmitted.
	-	Off	Radio switch is shut off.
WPS	Green	On	Connection succeeds under Wi-Fi Protected Setup.
	Green	Blink	Negotiation is in progress under Wi-Fi Protected Setup.
	-	Off	Wi-Fi Protected Setup is disabled.
WAN	Green	On	Connection succeeds.
	Green	Blink	Data is being transmitted.
	-	Off	No WAN connection.
LAN1/LAN2/LAN3/LAN4	Green	On	LAN connection succeeds.
	Green	Blink	Data is being transmitted.
	-	Off	No LAN connection.



Step 1: Installation

Requirements

- Network cable: Use standard network cable (RJ45 cable).
- TCP/IP protocol must be installed on all PCs.
- For Internet Access, an Internet Access Account with an ISP and either of a DSL or cable modem (for WAN port usage).
- To use the Wireless Access Point, all wireless devices must be compliant with the IEEE802.11b, IEEE802.11g or IEEE802.11n specifications.



Step2: Procedure

1. Choose an Installation Site
Select a suitable place on the network to install the wireless router. Ensure the wireless router and the DSL/cable modem are power off.
2. Connect PCs to the wireless router
Use standard network cables to connect PCs to the LAN ports on the wireless router.
3. Connect DSL/cable modem to the wireless router
Use standard network cable to connect the DSL or cable modem to the WAN port on the wireless router.
4. Power up
 - Turn on the DSL/cable modem first.
 - Connect the supplied power adapter to the wireless router and power up. Only use the power adapter provided. Using a different power adapter may cause the hardware damage.
5. Check the LEDs
 - For each LAN (PC) connection, the LAN LED should be on when the port is used to connect to a PC (PC is also on).
 - The WAN LED should be on when the WAN port is used to connect to the DSL/cable modem.
6. Turn on your PC
7. Your computer must be set to obtain an IP address automatically.
8. If everything is fine, you should get Internet instantly.

Check your PC settings

For Windows Vista & Windows 7

- Click Start->Click Control Panel->Network and Sharing Centre->Manage network connections (Win Vista)
- Click Start->Click Control Panel->Network and Sharing Centre->Change adapter settings (Win 7)
- Right click on Local Area Connection or Wireless Network Connection->click Properties
- Double click Internet Protocol Version 4
- Select "Obtain an IP address automatically" and select "Obtain DNS server address automatically". Then click OK

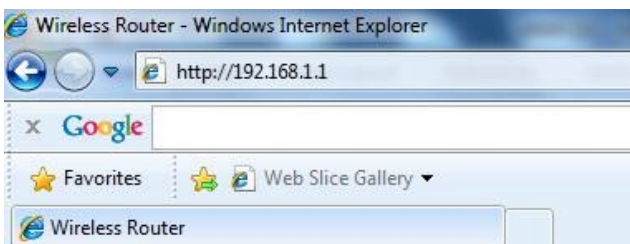
For Windows XP

- Click Start->Click Control Panel -> Network Connections
- Right click on Local Area Connection or Wireless Network Connection ->click Properties
- Double click Internet Protocol (TCP/IP)
- Select "Obtain an IP address automatically" and select "Obtain DNS server address automatically". Then click OK

Step3: Router Setup

1. Open your web browser, type <http://192.168.1.1> in the address bar and you will see the login page. The default username is admin and default password is admin.

Username: admin
Password: admin



UserName:

Password:

Login Reset

2. Put username and password and click Login, then you will see the wireless router web-based configuration page.

Device Info

System Info	
Hardware Version	V1.0
Firmware Version	V1.0
Product Name	Magic r9000
Time and Date	1971-01-06 10:35:24

Internet Port	
MAC Address	00:1F:A4:90:7F:01
Internet Access Mode	Connected(DHCP)
IP address	192.168.0.156
IP Subnet mask	255.255.255.0
Default Gateway	192.168.0.1
Domain Name Server	192.168.0.1

LAN Port	
MAC Address	0
IP Address	192.168.1.1
IP Subnet Mask	255.255.255.0

Wireless Port	
Wireless Network Name (SSID)	Magic r9500
Region	Europe
Wireless Channel	Auto
802.11 Mode	Mixed 802.11b/g/n
Wireless Radio	Enabled
Broadcast Name	ON
Wireless Isolation	OFF
Wi-Fi Protected Setup	ON
Wireless Security Mode	WPA-PSK[TKIP]

Router Status Help

You can use the Router Status screen to check the current settings and statistics for your router. This screen shows you the current settings. If something needs to be changed, you will have to change it on the relevant screen.

Hardware Version: The router model.

Firmware Version: This is the current software the router is using. This will change if you upgrade your router.

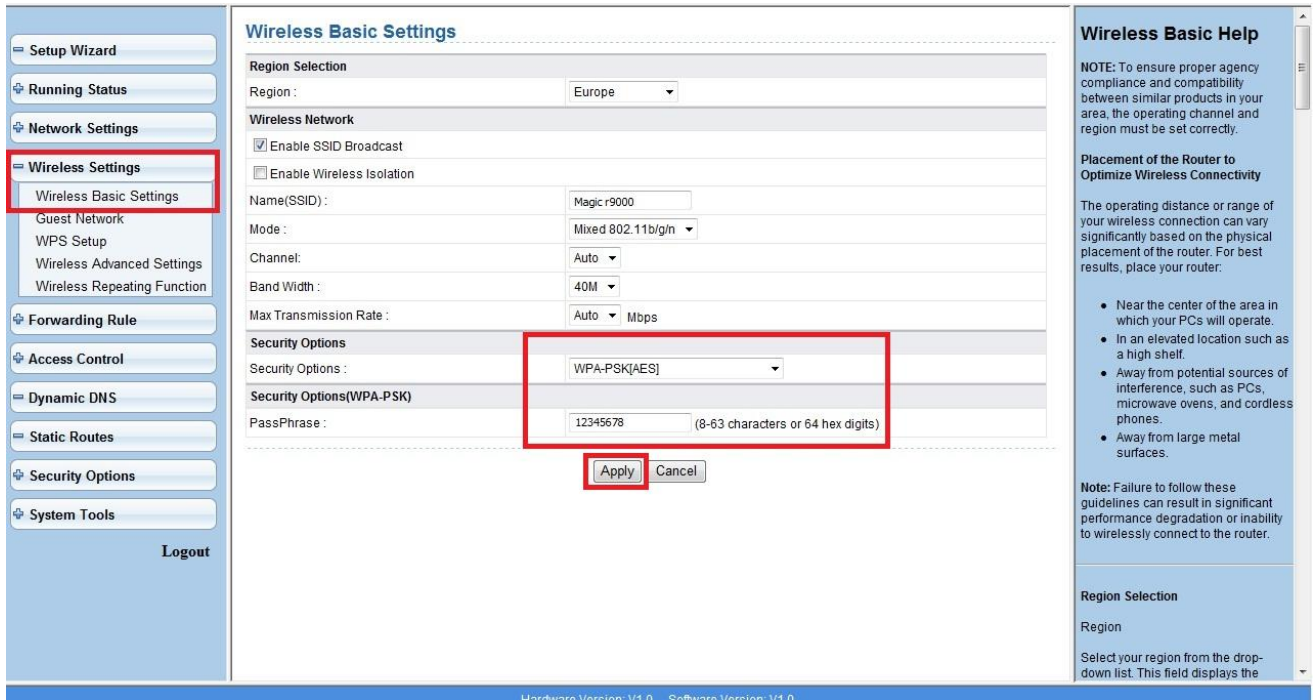
Internet Port: These are the current settings that you set in the Setup Wizard or Basic Settings screens.

- MAC Address. The physical address of the router, as seen from the Internet.
- IP Address. The current Internet IP address. If assigned dynamically, and no Internet connection exists, this will be blank or 0.0.0.0.
- Internet Access Mode. Indicate either DHCP, PPPoE or Fixed IP.
- IP Subnet Mask. The subnet mask associated with the Internet IP address.
- Domain Name Server. Displays the address of the current DNS.

LAN Port: These are the current settings, as set in the LAN IP Setup

Hardware Version: V1.0 Software Version: V1.0
2011 © All Rights Reserved

3. To set wireless security, click the menu Wireless Settings->Wireless Basic Settings, then choose Security options from drop-down list on the right screen, for example, you can choose WPA-PSK [AES]. Then, you can put your network key in Passphrase box and click Apply.



Step4: Connect your wireless PC/laptop to your wireless router

- For Windows 7
 1. Click Connection icon in the system tray, highlight your wireless router and click on Connect.



2. Enter your network key when the box is shown below, and click OK.



Note: To maximize your wireless connection speed in 11n mode, we recommend the customers to set WPA-PSK/WPA2-PSK with AES encryption for your wireless connection.

For any further information on this product, please refer to your user's manual in the CD.

