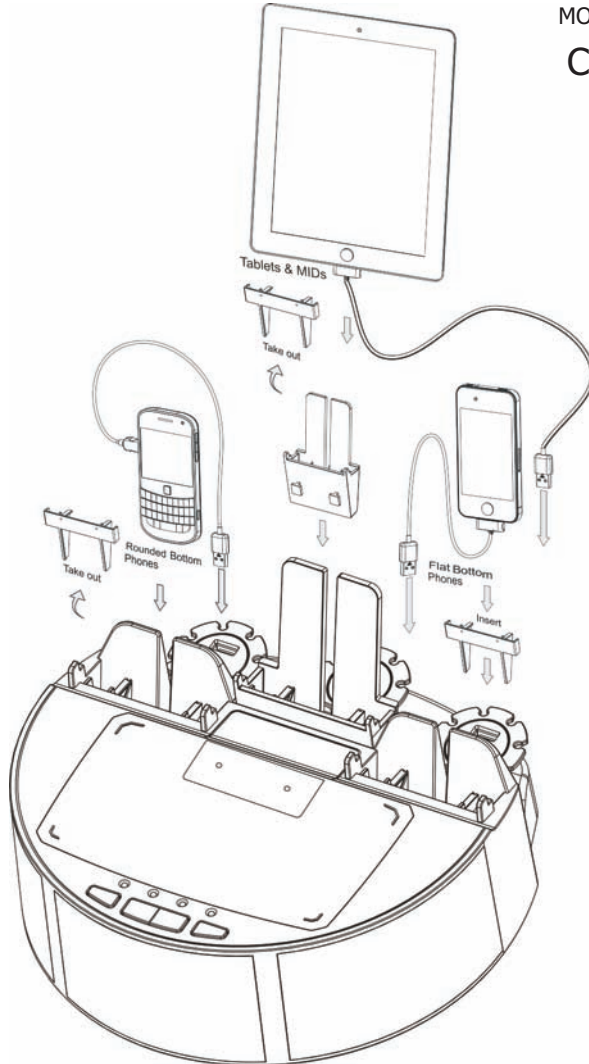


# 5 Port Universal Charger with Amazon Voice Service

## User's Guide

MODEL NO.:  
CR25



# Contents

Thank you for purchasing our product. For operation and security, read this manual carefully and keep it handy for future reference.

Contents.....	01
Features.....	01
Warnings and Precautions.....	02
Important Safety Instructions.....	03
Quick Start On Charging Your Device.....	04-07
What's in the Gift box.....	08
Location of Functions.....	09-10
Operations.....	10-11
Setup.....	12-21
Troubleshooting.....	22
Care and Maintenance.....	23
Specifications.....	24

# Features

---



## **Charge any 5 portable devices at once**

- Features SCD Technology  
Smart Current Detection ensures proper device protection by adjusting the current flow needed to each device.
- Charges 5 Devices, 3 in Cradles  
Charge any 5 devices, with capability of 3 standing upright, simultaneously.

**Note:** Charges all smart phones and tablets of 5V from 0-2.1A.

# Warnings and Precautions

**WARNING:** To reduce the risk of fire or electric shock, do not expose this apparatus to rain or moisture.

**CAUTION:** Use of controls or adjustments or performance of procedures other than those specified may result in hazardous radiation exposure.

**\*Caution Marking and rating plate was located at bottom enclosure of the apparatus**



This symbol is intended to alert you to the presence of uninsulated dangerous voltage within the product's enclosure that might be of sufficient magnitude to constitute a risk of electric shock. Do not open the product's case.



This symbol is intended to inform you that important operating and maintenance instructions are included in the literature accompanying this product.

Main plug is used to disconnect device and it should remain readily operable during intended use. In order to disconnect the apparatus from the mains completely, the mains plug should be disconnected from the mains socket outlet completely. (for apparatus with power cordset as disconnect device)

Battery shall not be exposed to excessive heat such as sunshine, fire or the like.

Location of label on the apparatus if that label was affixed under a lid or on the bottom of the apparatus with a mass not exceeding 7kg.

## SAFETY

When connecting or disconnecting the AC cord, grip the plug and not the cord itself. Pulling the cord may damage it and create a hazard.

When you are not going to use the unit for a long period of time, disconnect the AC cord.



Double insulation  
This is class II apparatus

## MOISTURE AND CONDENSATION

If unit is exposed to moisture and extreme cold temperatures, then moved to a warm environment, condensation may form on internal components. Under these circumstances, powering the unit on may cause damage to the unit or cause harm to the user. Allow the unit to stand in a warm environment for 1 to 3 hours and allow the unit to air dry safely.

## WHEN IN USE

Do not use this unit in extremely hot, cold, dusty, or humid conditions.

Do not restrict the air flow of the unit by placing it on carpet or covering.

## FCC Information

This device complies with part 15 of FCC Rules.

Operation is subject to the following two conditions:

- (1). This device may not cause harmful interference.
- (2). This device must accept any interference received, including interference that may cause undesirable operation.

**NOTE:** This equipment has been tested and found to comply with the limits for a Class B digital device, pursuant to Part 15 of the FCC Rules. These limits are designed to provide reasonable protection against harmful interference in a residential installation. This equipment generates, uses and can radiate radio frequency energy and, if not installed and used in accordance with the instructions, may cause harmful interference to radio communications. However, there is no guarantee that interference will not occur in a particular installation. If this equipment does cause harmful interference to radio or television reception, which can be determined by turning the equipment off and on, the user is encouraged to try to correct the interference by one or more of the following measures:

- Reorient or relocate the receiving antenna.
- Increase the separation between the equipment and receiver.
- Connect the equipment into an outlet on a circuit different from that to which the receiver is connected.
- Consult the dealer or an experienced radio/TV technician for help.

This equipment complies with FCC radiation exposure limits set forth for an uncontrolled environment. This equipment should be installed and operated with minimum distance 20cm between the radiator & your body.

**CAUTION:** Changes or modifications not expressly approved by the party responsible for compliance could void the user's authority to operate the equipment.

# Important Safety Instructions

**1. Read these instructions.** All safety and operating instructions should be read before the product is operated.

**2. Keep these instructions.** The safety and operating instructions should be retained for future reference.

**3. Heed all warnings.** All warnings on the product and in the operating instructions should be adhered to.

**4. Follow all instructions.** All operating and use instructions should be followed.

**5. Water and Moisture.** Do not use this product near water. For example, near a bath tub, wash bowl, kitchen sink, or laundry tub; in a wet basement, or near a swimming pool or similar conditions. The apparatus shall not be exposed to dripping or splashing and that no objects filled with liquids, such as vases, shall be placed on or near this product.

**6. Cleaning.** Clean only with a dry cloth. Unplug this product from the wall outlet before cleaning. Do not use liquid cleaners or aerosol cleaners.

**7. Ventilation.** Slots and openings in the cabinet are provided for ventilation and to ensure reliable operation of the product and to protect it from overheating. These openings must not be blocked or covered. The openings should never be blocked by placing the product on a bed, sofa, rug, or other similar surface. This product should not be placed in a built-in installation such as a bookcase or rack unless proper ventilation is provided.

**8. Heat.** Do not install near any heat sources such as radiators, heat registers, stoves, or other devices that produce heat, including amplifiers.

**9. Grounding or Polarization.** (If applicable) Do not disable or circumvent the polarized or grounding type plug. A polarized plug has two blades with one wider than the other. A grounding type plug has two blades and a third grounding prong. The wide blade or the third prong is provided for your safety. If the provided plug does not fit into your outlet, consult an electrician for replacement of this outlet.

**10. Power Cord Protection.** Protect the power cord from being walked on, pinched, cut or damaged in any way. If any damage occurs, consult with a trained technician for repairs.

**11. Accessories.** Only use accessories specified and approved by the manufacturer. Do not place this product on an unstable cart, stand, tripod, bracket, or table not previously approved by the manufacturer. The product may fall causing serious injury to a child, adult or to the product itself. Any mounting of the product should be done within the manufacturer's guidelines.

**12. Transporting.** If a preapproved device is used to transport this product, caution and care must be observed and practiced to avoid damages. Make sure the device and product together are stable before moving.



PORTABLE  
CART  
WARNING

**13. Lightning.** Unplug this product and disconnect the antenna or cable system during lightning storms or when unused for long periods of time. This will help prevent damage to the product due to lightning and power line surges.

**14. Servicing.** Do not attempt to service this product yourself. Opening or removing covers may expose you to dangerous voltage or other hazards. Refer all servicing to a qualified service technician.

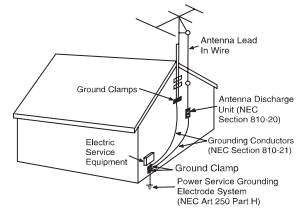
**15. Power Sources.** Only connect to the type of household power supply as indicated in the operating instructions and rating label. If you are not sure of the type of power supplied to your home, consult with local power company. For products intended to operate from battery power, or other sources, refer to the manufacturer's operating instructions.

**16. Overloading.** Do not overload wall outlets or extension cords. This can result in a risk of fire or electric shock.

**17. Foreign Material.** Protect this product from intrusion of any foreign substances like dirt, water, moisture and insects. Do not force any foreign materials or chemicals into this product. This could result in a risk of fire or electric shock.

**18. Replacement Parts and Safety Check.** When replacement parts are required, be sure the service technician has used replacement parts specified and approved by the manufacturer. Ask the service technician to perform safety checks to ensure proper operation to avoid possible fire, electric shock, or other hazards.

**19. Outdoor Antenna Grounding.** If an outside antenna or cable system is connected to the product, be sure the antenna or cable system is grounded so as to provide some protection against voltage surges and built-up static charges. If there's any doubt to the proper grounding of these systems, contact a qualified electrician to inspect your location.



**20. Wall or Ceiling Mounting.** The product should be mounted to a wall or ceiling only as recommended by the manufacturer.

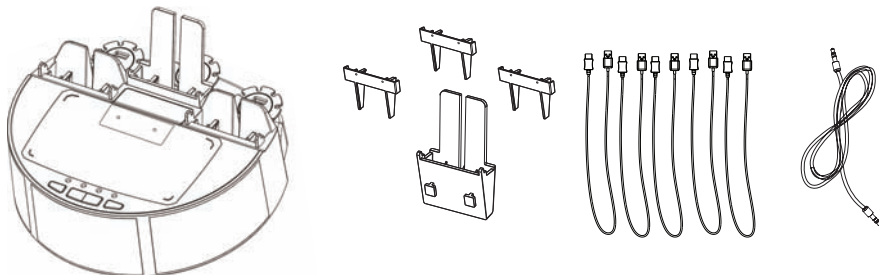
**21. Disconnect Device.** Make sure all disconnect devices are in proper working condition and readily available in the event of an emergency or if power off is needed quickly.

**22. Protective Attachment Plug.** (If applicable) This product may be equipped with an attachment plug having overload protection. This is a safety feature. See Instruction Manual for replacement or resetting of this protective device. If replacement of the plug is required, be sure the qualified service technician has used a replacement plug specified by the manufacturer that has the same overload protection as the original plug.

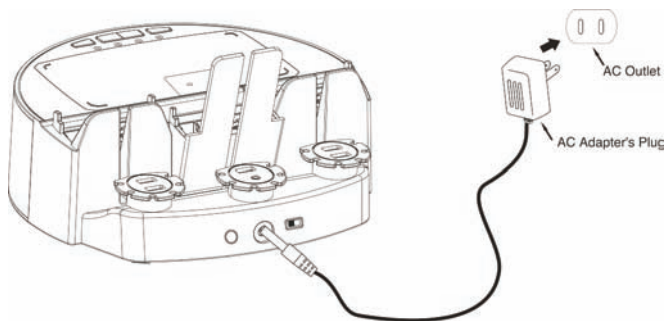
**23. Power Lines.** An outside antenna system should not be located in the vicinity of overhead power lines or other electric light or power circuits, or where it can fall into such power lines or circuits. When installing an outside antenna system, extreme care should be taken to keep from touching such power lines or circuits as contact with them may be fatal. Always consult with your local power company before installing an outside antenna.

# Quick Start On Charging Your Device

## **Remove Items from Package**

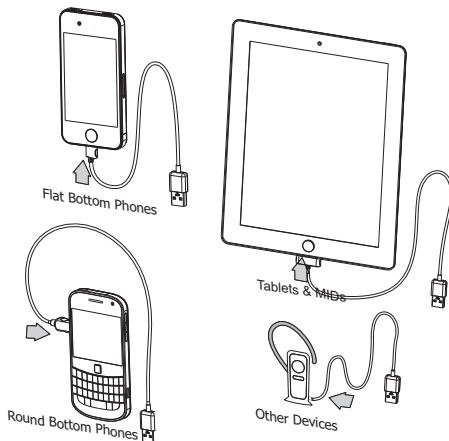


## **Connect Unit to Power Outlet**



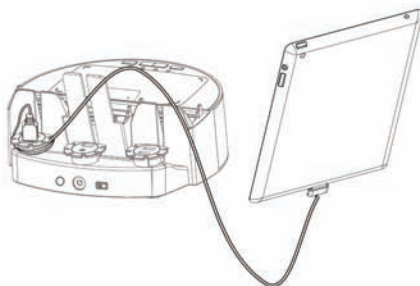
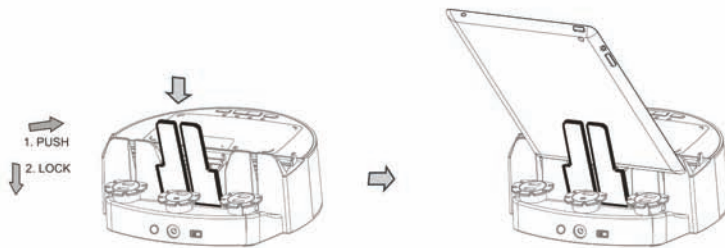
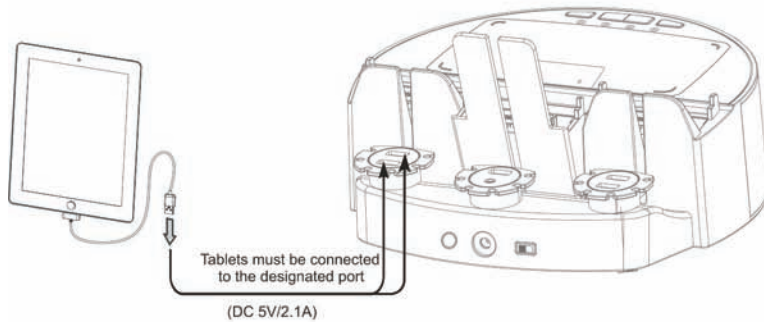
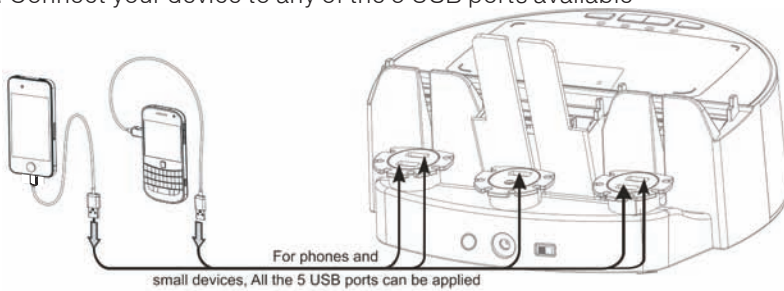
## **How to Use the CR25 to Charge Your Device**

1. Connecting your devices and the unit;  
Connect your device to a USB port



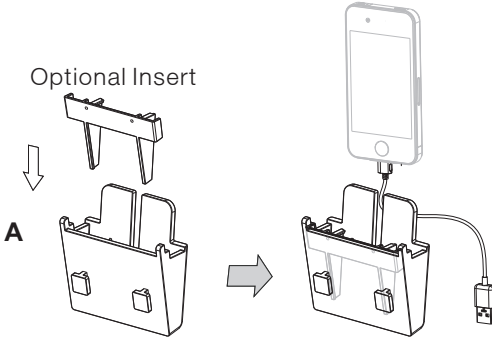
# Quick Start On Charging Your Device

2. Connect your device to any of the 5 USB ports available

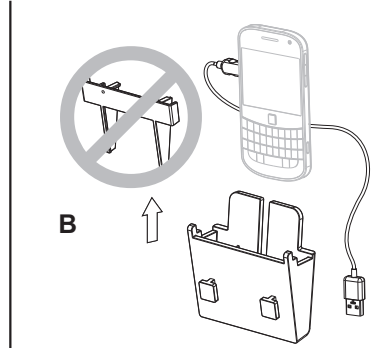


# Quick Start On Charging Your Device

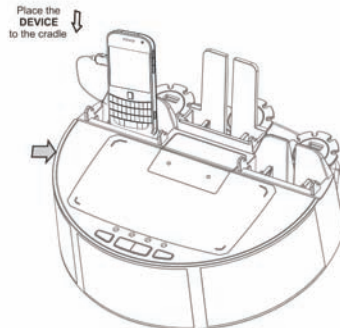
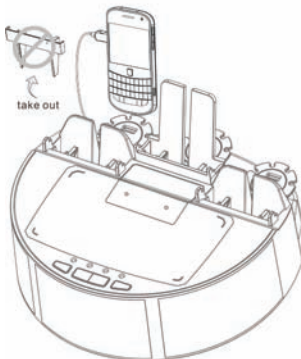
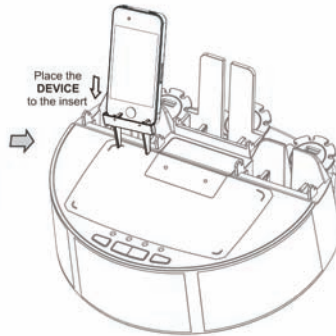
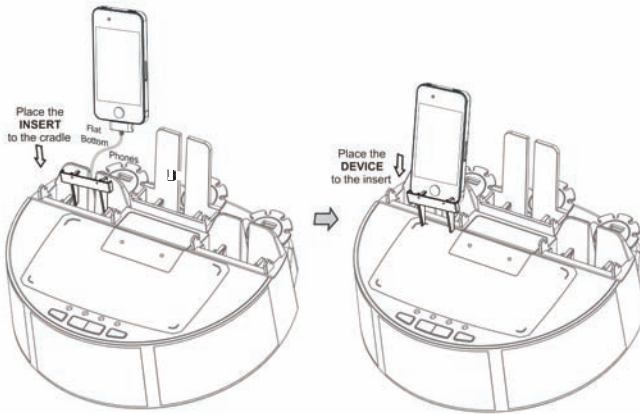
3. Your phone's shape will determine if an insert is needed. Use the insert for flat bottom phones. Round bottom phones do not need the insert.



For FLAT bottom phones



For ROUND bottom phones

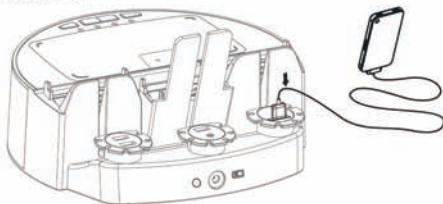


# Quick Start On Charging Your Device

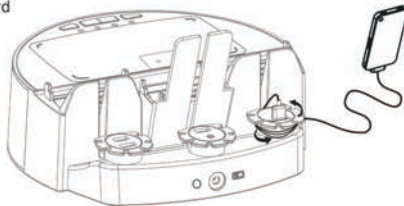
---

## 4. Wrap the Cord

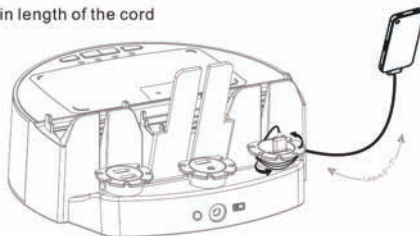
a. Push the cord into a slot



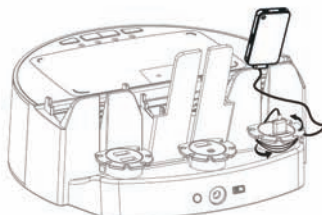
b. Wrap your cord



c. Leave a certain length of the cord



d. Put on your device to you cradle





# What's in the Gift box?

---



CR25 Base Unit



1 Device Cradles &  
3 Cradle Inserts



Speaker (AUX IN) Cable



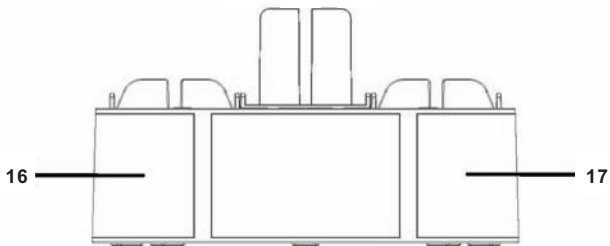
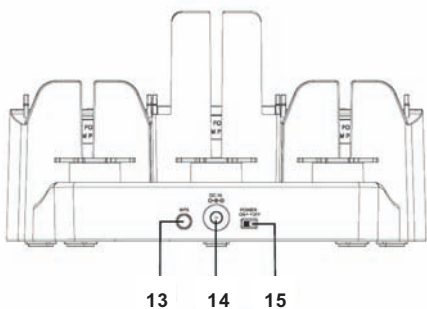
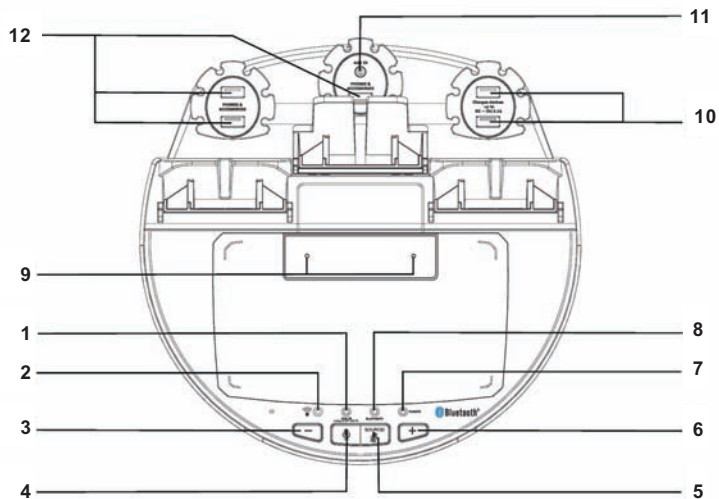
USB Phone Charging Cable



User's Manual

# Location of Functions

- 1. AUX IN indicator
- 2. WiFi indicator
- 3. VOLUME - button
- 4. Microphone button
- 5. SOURCE / Microphone button
- 6. VOLUME + button
- 7. POWER indicator
- 8. BLUETOOTH indicator
- 9. Microphone
- 10. DC 5V / 2.1A USB ports
- 11. AUX IN jack
- 12. 5V / 1A USB ports
- 13. WPS button
- 14. DC IN jack
- 15. POWER ON/OFF switch
- 16. Speaker (L)
- 17. Speaker (R)



# Operations

---

## Indicator Lights

Mode/Connection LED

POWER Solid red – POWER, Wi-Fi Standby Mode.

📶 Solid Blue – Amazon Alexa listening/responding.

📶 Flashing Blue - Amazon Alexa searching

BLUETOOTH Flashing – Ready for pair.

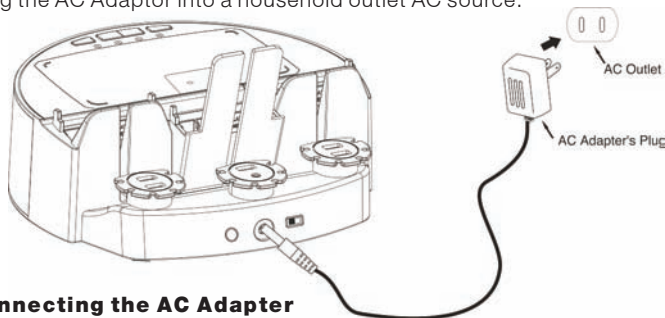
BLUETOOTH Solid Blue – Paired to Bluetooth device.

AUX IN Solid Yellow – Aux In (3.5mm audio input) in use.

## Power Connection

This product operates on AC 110V/50Hz ~ AC 240V/60Hz power supply.

Plug the AC Adaptor into a household outlet AC source.



## Connecting the AC Adapter

1. Insert the DC plug of the AC adapter (included) into the DC Jack of the unit.
2. Fully insert the blades of the AC adapter (included) into the slots of a working wall socket as shown.
3. Slide POWER ON/OFF switch to ON location, POWER indicator will light up.

## WiFi Alexa Operation

### About Alexa

Alexa is Amazon's cloud-based voice service that is always getting smarter. Alexa provides capabilities or skills that enables customers to interact with devices in a more intuitive way using just your voice.



Just ask Alexa to answer questions, play music, read the news, get weather and traffic reports, add things to your to-do list, control your smart home, vocabulary and preferences with new features continually being added.

### Enable Alexa


Download DOK App and connect your WIFI ALEXA WITH BLUETOOTH SPEAKER to internet. Then please log in your Amazon Account in DOK App to enable the Alexa function.

### Introduction to DOK

DOK is a next-generation intelligent speaker with Alexa, Amazon's cloud-based voice service. WiFi Alexa with Bluetooth Speaker helps you to connect to online music, podcasts, and news with our built-in system.

1. Slide POWER ON/OFF switch to turn the unit on.
2. Press **and hold** the SOURCE/  button to select WiFi function, a chime will sound and the  WiFi indicator will light off. The unit is now ready to search and connecting your router.
3. Open DOK App on your phone, it will search system automatically, if there is no existing system, please follow the information to input device name and password and click "confirm".
4. Press WPS button on rear side of unit to connect the router. after 10-15 seconds, you will hear a voice to prompt you the connection is successful.

Note: If you find your device is unable to connect, press and hold WPS button 10 seconds, repeat the above steps 2-4 again.


5. Press the  button to call Alexa and talking.

# Operations

---

## **BLUETOOTH Operation**

Pairing a Bluetooth enabled Device with the WiFi Alexa with Bluetooth Speaker.

1. Slide POWER ON/OFF switch to turn the unit on.
2. Press and hold the SOURCE/  button to select Bluetooth function, a chime will sound and the Bluetooth indicator will flash. Start pairing process to connect to your Bluetooth device.
3. Turn on Bluetooth function of your device and enable the search or scan function to find CR25 (see your device's instructions to add or setup a Bluetooth device).
4. Select CR25 from the device list when it appears on you device screen. If required, enter the pass code "0000" to pair (link) CR25 with your device.
5. Once paired with a device, the indicator will light steadily and your will hear the sound to confirm that pairing is completed.
6. If you want CR25 change to pair with another Bluetooth device. You will turn off the Bluetooth device to disconnect wirelessly for the first time. After repeat steps 3 to 5 for next Bluetooth device.

## **To Connect Previously Paired Bluetooth Device**

CR25 can store one previously paired device for quick pairing during power on. When the unit is powered on and the previously paired device is found within the operating range, the unit will pair the device automatically.


## **Playing from a BLUETOOTH Device**

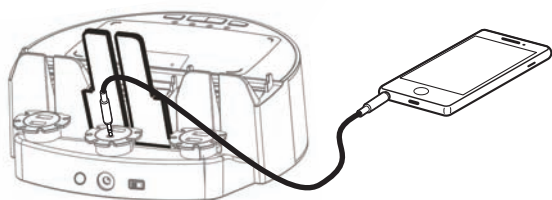
You can play music from your Bluetooth device wirelessly to CR-25 after pairing.

1. Selecting your favorite song, press the PLAY button on your Bluetooth device to play or pause the Bluetooth device playback.
2. Adjust both the VOLUME +/- buttons of your CR-25 and your Bluetooth device until you reach a comfortable listening level.

## **AUX IN Operation**

This unit provides an auxiliary audio signal input jack for connecting external audio devices like MP3 players, CD players and listen to them through the speakers of this unit.

1. Use an audio cable with one 3.5 mm stereo plug on each end of the cable.
2. Plug one end into the AUX IN Jack on the main unit and the other end of the cable into the Line-out Jack or Headphone Jack of your external audio device.
3. Turn on the unit and external audio device.
4. To select auxiliary audio input, press and hold the SOURCE/  button to select AUX IN mode. AUX IN indicator will light up.
5. The volume level can now be controlled through the main unit. Operate all other functions on the auxiliary device as usual.



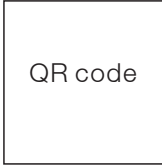
# Setup

---

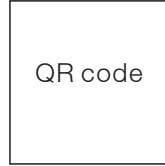
## 1. Download the Alexa App

Download the Amazon Alexa app to your device by scanning the appropriate QR code below or search for the Amazon Alexa app in the Google Play™ Store, or Apple App Store®.

Android



Apple



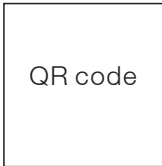
The Amazon Alexa app connects your Concierge speaker to Alexa's voice services. It's also where you see an overview of your requests and manage your contacts, lists, news, music and settings.

Once downloaded, open the Alexa app and log into your Amazon account. If you do not already have an Amazon account, choose "Create a new Amazon account" and enter the requested info. Once logged in, the app will prompt you for setup. You can add these details now by choosing "Get Started," or skip these steps and complete the process later. You cannot use Alexa Voice Services if you aren't logged into an Amazon account.

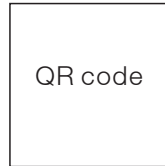
## 2. Download the DOK App

Download the DOK app to your device by scanning the QR codes below or search for the DOK app in the Google Play™ Store, or Apple App Store®.

Android



Apple



The DOK app lets you play music and audio from streaming services like Spotify, iHeartRadio and others. It also controls the speaker's other functions, such as Multi-room play, Multi-channel play, etc.

Note: This app is designed for mobile devices only, such as smartphones or Wi-Fi enabled tablets. It is not available for use on regular desktop or laptop computers.

# Setup

---

## 3. Connect to Wi-Fi

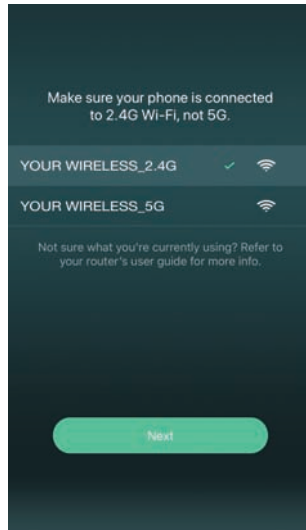
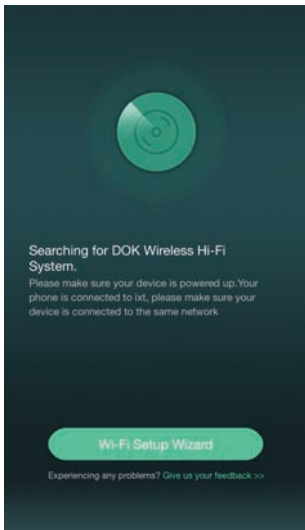
To use the speaker's Wi-Fi features, the speaker and your mobile device must both be connected to a Wi-Fi network. The app will guide you through the process, just follow the on-screen instructions and have your network password ready.

After the initial connection, the speaker will remember the Wi-Fi network and automatically connect to it when it is in Wi-Fi Mode. If the speaker should become disconnected or will not connect normally, repeat the steps below.

### Initial Wi-Fi Connection

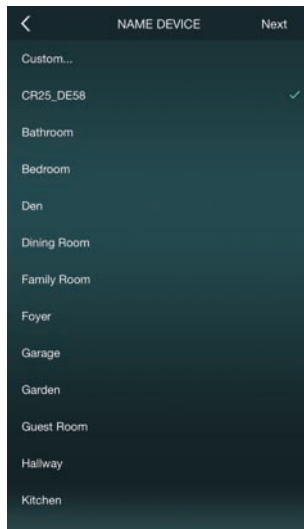
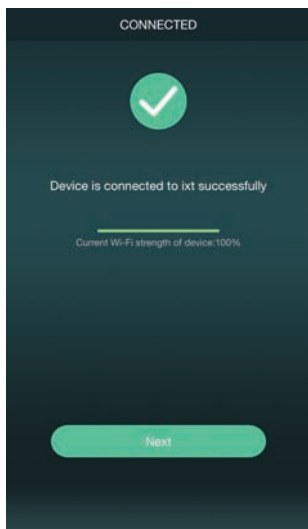
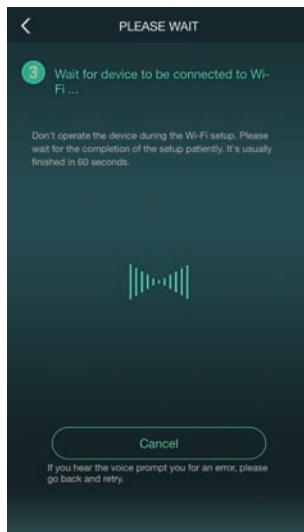
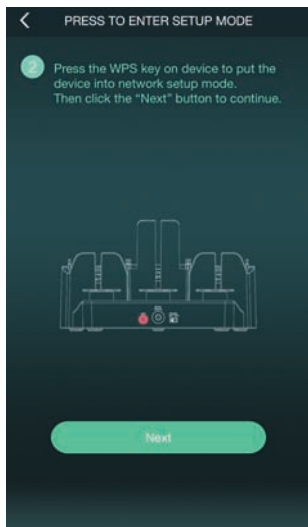
Note: If you have a dual band wireless router, be sure to connect using the 2.4GHz band.

1. Slide the POWER ON/OFF switch to turn the unit on. The WiFi indicator may off light after first powering on. this is normal, please wait a few time until a chime sound will hear to confirm in WiFi Standby mode.
2. Press and hold the Pair (WPS) button on the speaker.
3. Open the DOK app on your device and press "Add Device". Follow the on-screen prompts and enter your Wi-Fi password .
4. The app will display it's progress as it configures the speaker and your Wi-Fi network. When the speaker and your device are successfully connected to Wi-Fi, a voice will announce the connection . Press "Finished" to start using the app .



# Setup

---



# Setup

---

## 4. Connect to Your Amazon Account

With the Wi-Fi connection complete, the DOK app can now link the speaker with the Amazon Alexa app on your device. Apple devices will ask you to manually link with the Amazon Alexa app. Android devices will do this automatically, however, if for some reason the DOK app does not automatically link with Amazon Alexa app, follow the steps below.



### Manual Setup



1. From the Music Player Screen, swipe right or press the icon in the top left of the screen to access the Main Menu .
2. Select Amazon Alexa from the list
3. Enter your Amazon account login information as requested
4. When login is successful, press Next to finish setup and begin using Alexa

## 5. Things to Try with Alexa

Now that you're connected, try interacting with Alexa. Start by saying "Alexa," followed by a command or question. Here are some examples:

- » "Alexa, tell me a joke."
- » "Alexa, what's in the news?"
- » "Alexa, what can you do?"

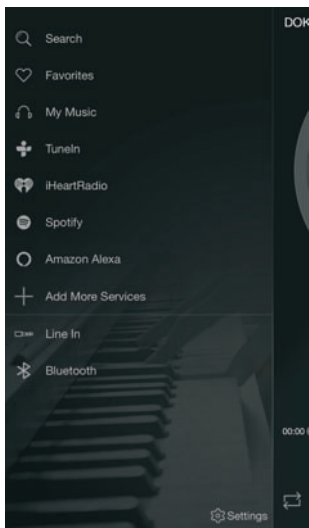
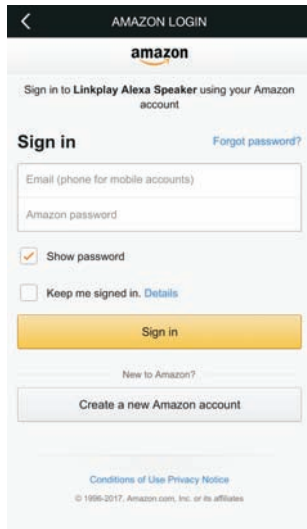
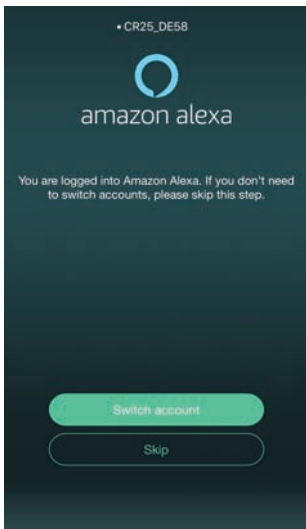
While the speaker is on (in Wi-Fi mode) , Alexa is in standby mode, awaiting a command or question from you. All you need to do is say "Alexa.." within range of the speaker's microphones and she will respond. When Alexa is listening and responding to your commands,  LED will be in solid blue. You can also press the  button on the speaker to manually activate Alexa.

You can mute Alexa and disable the microphones by pressing the  button. The  LED will change to solid red . In this mode, the speaker's audio will still work normally.



# Setup

---



# Setup

---

## DOK App

### Music Player Screen

This is the default screen when you open DOK app.



**1. Main Menu**

**2. Device List**

**3. Repeat/Shuffle**

**4. Previous**

**5. PLAT**

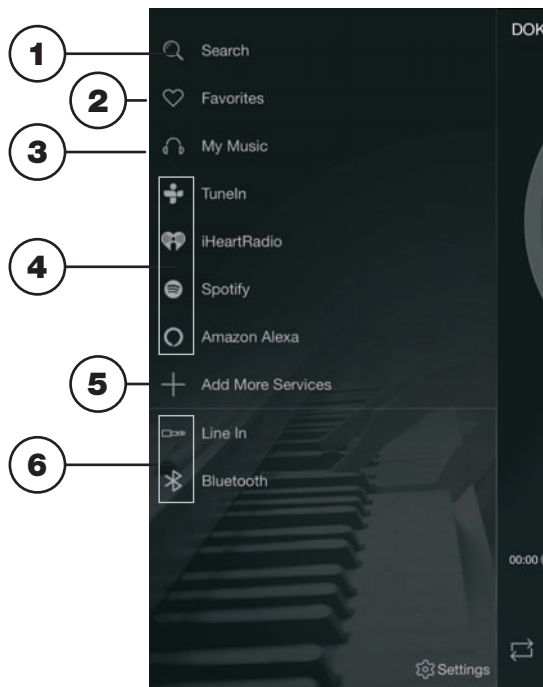
**6. Next**

**7. Volume**

# Setup

---

## Main Menu Screen



### 1. Search

Search for songs, albums and artists.

### 2. Favorites

Open songs, artists, albums, or stations that you have saved.

### 3. My Music

Open music that is stored on your mobile device.

### 4. Internet Music Services

Available third-party music apps.

### 5. Add more Services

Press to add more third-party apps.

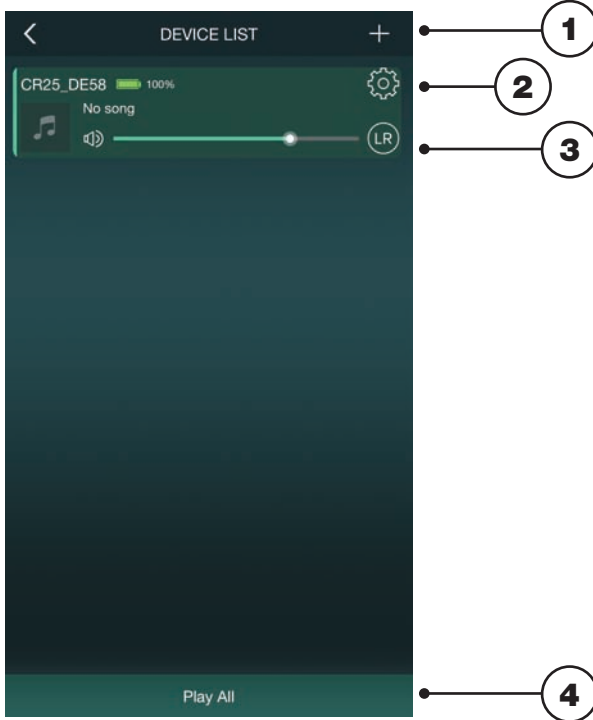
### 6. Bluetooth/Line In Mode

Press to enable Bluetooth or the 3.5mm audio input (Aux In).

# Setup

## DOK App

### Device List Screen



#### 1. Add Device

Add more speakers for more play options.

#### 2. Speaker Settings

Rename a speaker, set preset stations, and find additional information on a speaker.

#### 3. Audio Channel

Press to set audio channels for the speaker: L / R / LR (left/right/stereo).

#### 4. Play All

Play music on all connected speakers.

# Setup

---

## Multi-room Play

Place speakers in any room and use the app to play music from the speaker of your choice. You can play different songs from different speakers, set individual volume levels, or you can link all of the speakers to play the same song.

### Multi-mode

- » In the Device List, press and hold a device icon for two seconds, then drag towards another device to link the speakers together.

### Solo-mode

- » Press and hold the device icon, then drag downwards past the dotted line.

## Multi-channel Play with Multiple Speakers

You can use two or more speakers in one room for a surround sound effect by setting the **Audio Channel** selector to “**LR**” (**stereo**) for all of the speakers.

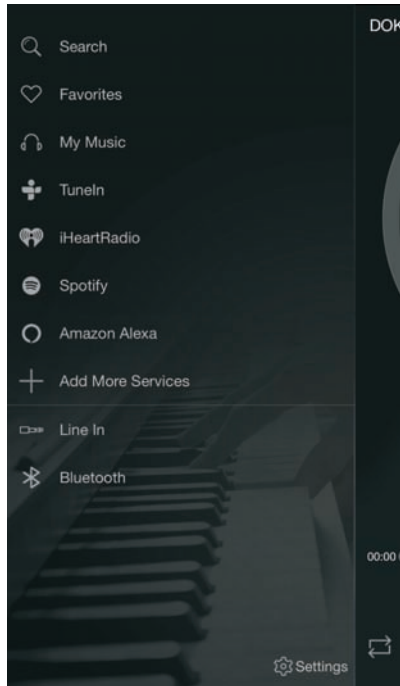
You can also use two speakers at once for stereo play by setting the **Audio Channel** selector to “**L**” and “**R**” for the “left” and “right” speaker respectively.

# Setup

---


## DOK App

### Internet Music Services



The DOK app supports and can play songs from Spotify, iHeartRadio, and others. Similar to the setup process for Alexa, some of these third-party services will prompt you to log in and link your account with the DOK app so that it can access media you already have saved with that service.

# Troubleshooting

PROBLEM	POSSIBLE SOLUTION
Cannot complete Wi-Fi network setup	<ul style="list-style-type: none"> <li>» Make sure the speaker has power and is charged.</li> <li>» Make sure you are connecting to the correct Wi-Fi network.</li> <li>» If using a dual band wireless router, be sure to use the 2.4GHz band.</li> <li>» Be sure to enable Wi-Fi on your mobile device.</li> <li>» Test your internet connection by loading/reloading a web page. If you cannot load the page, you may need to restart your router.</li> <li>» Uninstall then reinstall the app, power the speaker OFF, then ON, and restart setup.</li> </ul>
Intermittent audio/Audio doesn't play	<ul style="list-style-type: none"> <li>» Make sure the volume on the speaker or your connected device is not too low.</li> <li>» Interference or weak Wi-Fi signal may be interrupting reception (possible sources could be microwaves, cell phone signals, etc.). Move the system to another location to test.</li> <li>» Stop other applications that may be streaming media from the internet.</li> </ul>
Bluetooth won't play or fails to connect	<ul style="list-style-type: none"> <li>» Make sure the volume on your Bluetooth device is turned up to an audible level.</li> <li>» Make sure the speaker has power and is charged.</li> <li>» Make sure both the speaker and your device are in Bluetooth mode.</li> <li>» Stay within 3 ft. of the speaker when pairing.</li> </ul>
Aux In won't play	<ul style="list-style-type: none"> <li>» Make sure the audio cable is firmly connected to the audio ports of both devices.</li> <li>» Make sure the volume on the speaker or your connected device is not too low.</li> <li>» Press the <b>Source/</b>  button to manually switch to <b>AUX</b> in mode.</li> </ul>
White noise/Speaker will not function properly	<ul style="list-style-type: none"> <li>» Power the speaker OFF, then ON again.</li> </ul>

# Care and Maintenance

---

1. Clean the unit with a soft, damp (never wet) cloth. Solvent or detergent should never be used.
2. Avoid operating your unit under direct sunlight or in hot, humid or dusty places to reduce the risk of fire or electric shock.
3. Keep your unit away from heating appliances and sources of electrical noise such as fluorescent lamps or motors.
4. Unplug the unit from the electrical power outlet immediately in case of malfunction.

# Specifications

---

Power Adaptor: AC 110V/50Hz ~ AC 240V/60Hz  
DC Input: DC5V / 5A  
WiFi: 2.4GHz  
802.11 b/g/n  
Bluetooth: Bluetooth Specification version 4.2  
Support profile A2DP  
Audio Power output: 2W (RMS) x2



# ORDER FORM

## ACCESSORY USB CHARGING CORDS

USB charging cords for pre-Smart Phone generations



AP Devices  
Price: \$5.00  
Sku: UCAP  
Buy Now



Samsung/Tablet  
Price: \$5.00  
Sku: UC800  
Buy Now



Mini USB  
Price: \$5.00  
Sku: UCMV3  
Buy Now



Micro USB  
Price: \$5.00  
Sku: UCMV8  
Buy Now

**Make Checks or Money Orders Payable to: DOK Solution, LLC. Add \$3.00 S&H.**

PLEASE PRINT CLEARLY

Name: \_\_\_\_\_

Address: \_\_\_\_\_

City: \_\_\_\_\_ State: \_\_\_\_\_ Zip: \_\_\_\_\_

Phone: \_\_\_\_\_

Email: \_\_\_\_\_

Brand of Phone: \_\_\_\_\_ Model No.: \_\_\_\_\_

**Visa**    **MasterCard**    **Discover**    **AMEX**

CC# \_\_\_\_\_

Exp Date: \_\_\_\_ / \_\_\_\_   CVV (3 Digits) \_\_\_\_\_ Signature: \_\_\_\_\_