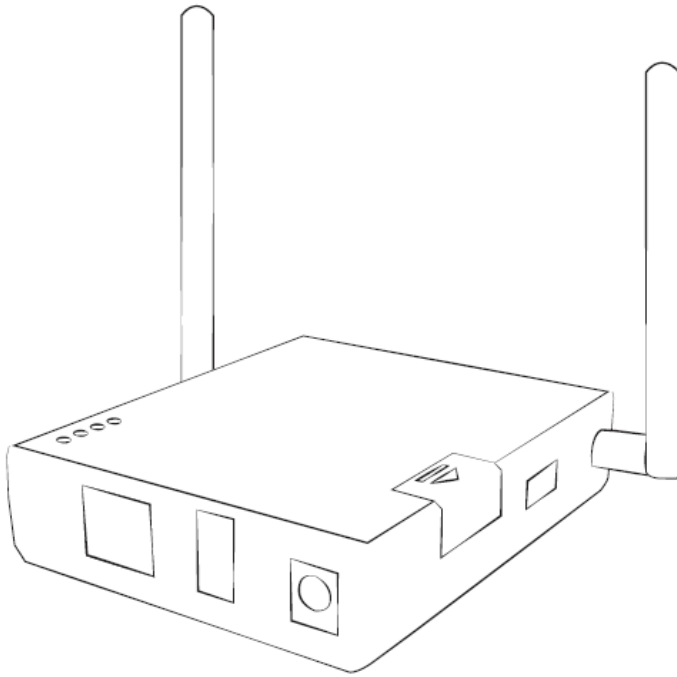


MK5

Wireless Access Point



Technical Support

Thank you for selecting MK5.

After device installation, locate the serial number on the label of your product for registration. You must register your product before you can use MK5 technical support.

Phone: 1-415-779-4255

Trademarks

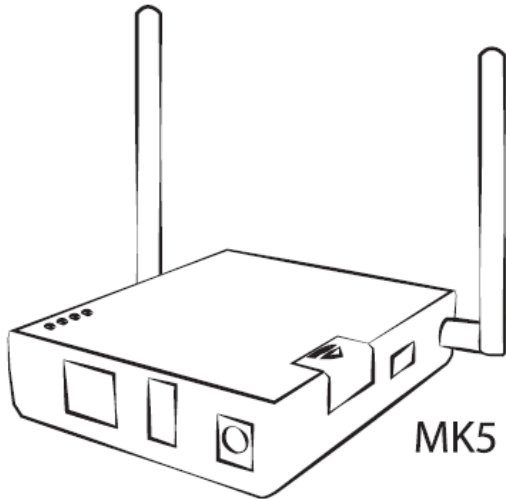
All trademarks or registered trademarks are property of their respective owners.

Statement of Conditions

This product contains software under GPL license agreement. The product displayed on the packaging is for illustrative purposes only and may differ from the actual product. This product is packaged with a limited warranty, the acceptance of which is a condition of sale.

Made in China. Designed in San Francisco, CA.

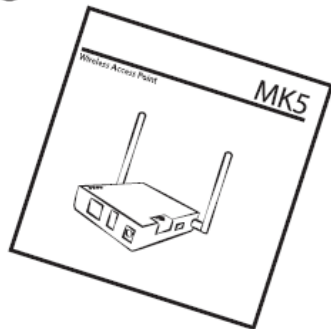
What's in the box



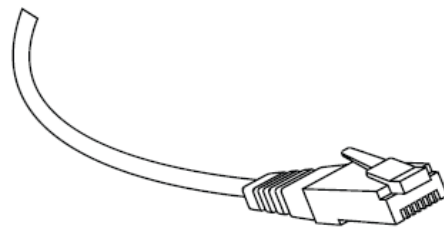
MK5



Power adapter

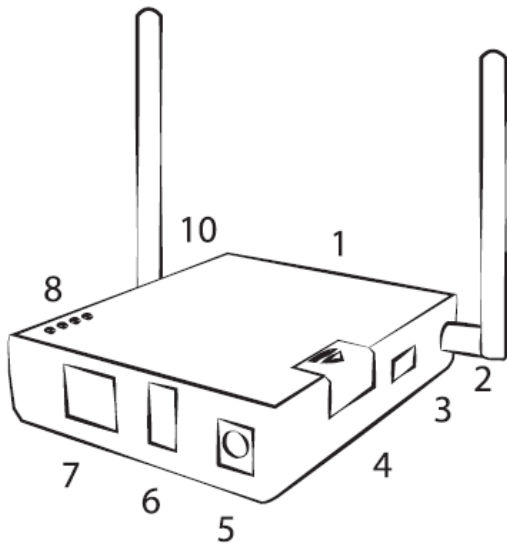


User Manual



Ethernet Cable

Specifications

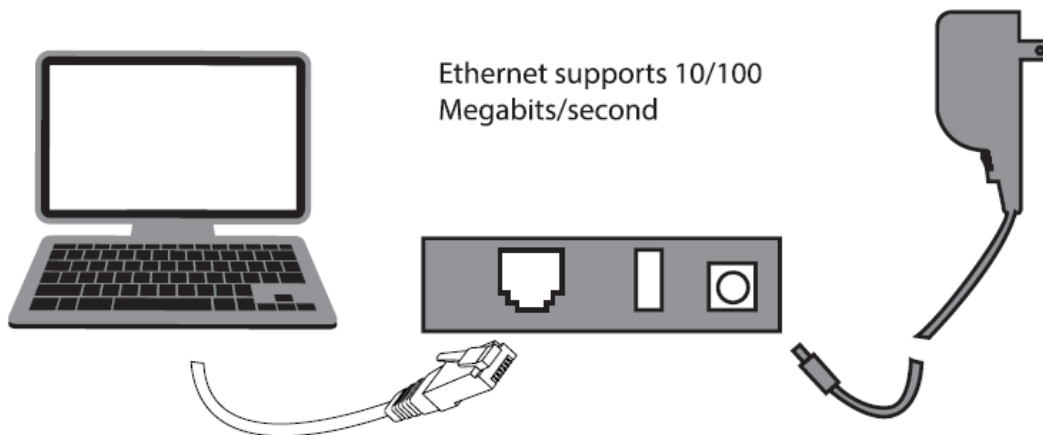


1. Serial Console Headers
2. SMA Antenna Connector
3. Mode Selection Switches
4. Expansion Bus Door
5. DC Power Port
6. USB 2.0 Host Port
7. 10/100 Ethernet Port
8. Indicator LEDs
9. MicroSD Storage Slot
10. SMA Antenna Connector

400 MHz MIPS CPU, 16 MB DDR2 Memory, 16 MB Flash,
Micro SD Memory Expansion, Configurable Mode Selection

Connecting

1. Make sure that your PC is on and configured to the proper IP address.
2. Connect an Ethernet cable (included) to the Ethernet port on your MK5 and to the Ethernet port on your PC.



3. Connect the power adapter to your MK5, and plug it into an electrical outlet.

Configuring

Windows

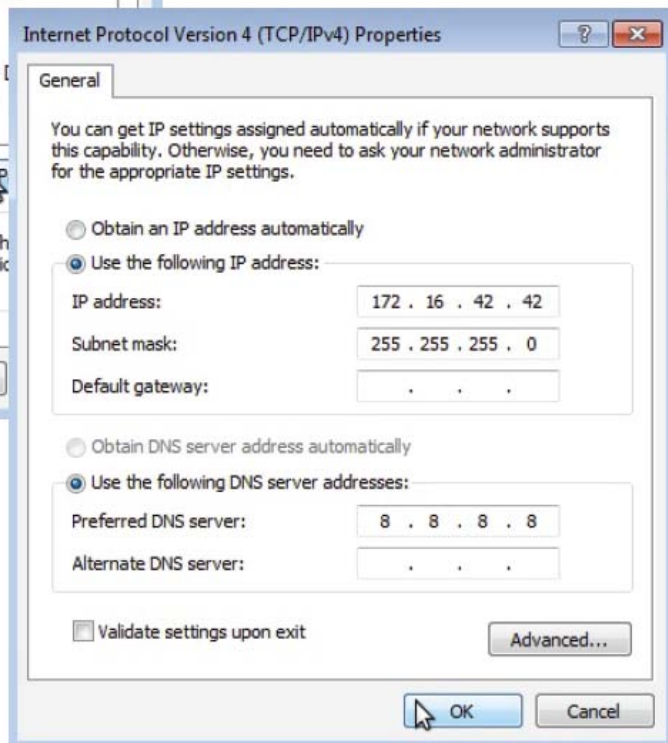
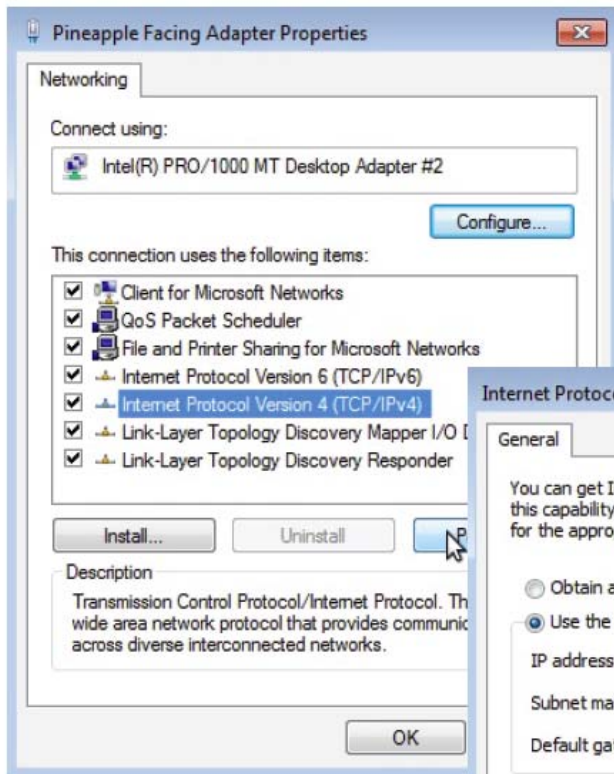
Click Start, type "view network connections" and press ENTER.
Right-click the Internet-facing adapter and click Properties.
From the Sharing tab check the box labeled "Allow other network users to connect through this computer's Internet connection".

From the "Home networking connection: drop-down select the wired Ethernet adapter connected to the MK5, typically "Local Area Connection". Click OK.

Right-Click the Ethernet adapter directly connected to the MK5 and click Properties. Select "Internet Protocol Version 4" and click Properties.

Check "Use the following IP address" and enter 172.16.42.42 for IP address. Enter 255.255.255.0 for subnet. Leave the default gateway field blank.

Next check "Use the following DNS server address" and specify 8.8.8.8 for Preferred DNS server. Click OK then Close.



Configuring

Linux

The following bash script may be used for convenient setup in Linux.

```
echo '1' > /proc/sys/net/ipv4/ip_forward
iptables -X
iptables -F
iptables -A FORWARD -i wlan0 -o eth0 -s 172.16.42.0/24 -m \
state --state NEW -j ACCEPT
iptables -A FORWARD -m state --state ESTABLISHED,RELATED -j ACCEPT
iptables -A POSTROUTING -t nat -j MASQUERADE
gateway=$(netstat -nr | awk 'BEGIN {while ($3!="0.0.0.0") getline; print $2}')
route del default
route add default gw $gateway wlan0
```


FCC Statement

Changes or modifications not expressly approved by the party responsible for compliance could void the user's authority to operate the equipment.

This equipment has been tested and found to comply with the limits for a Class B digital device, pursuant to Part 15 of the FCC Rules. These limits are designed to provide reasonable protection against harmful interference in a residential installation. This equipment generates uses and can radiate radio frequency energy and, if not installed and used in accordance with the instructions, may cause harmful interference to radio communications. However, there is no guarantee that interference will not occur in a particular installation. If this equipment does cause harmful interference to radio or television reception, which can be determined by turning the equipment off and on, the user is encouraged to try to correct the interference by one or more of the following measures:

- Reorient or relocate the receiving antenna.
- Increase the separation between the equipment and receiver.
- Connect the equipment into an outlet on a circuit different from that to which the receiver is connected.
- Consult the dealer or an experienced radio/TV technician for help

This device complies with part 15 of the FCC rules. Operation is subject to the following two conditions (1) this device may not cause harmful interference, and (2) this device must accept any interference received, including interference that may cause undesired operation

The antenna(s) used for this transmitter must be installed to provide a separation distance of at least 20 cm from all persons and must not be collocated or operating in conjunction with any other antenna or transmitter, except in accordance with FCC multi-transmitter product procedures.



August, 2013