

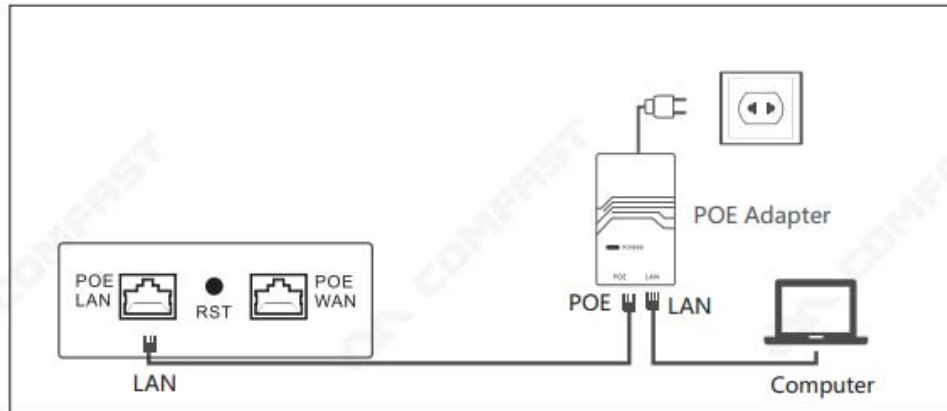


Outdoor AP Quick Installation Guide



Outdoor AP
M0304413 Version 6.0

1. Please set automatically get ip for the computer , connect the ap lan port to the setting page.



2. Set the computer to obtain the IP address automatically, and connect the LAN port of the device to the device management interface.

3. The device is defaulted to the interface Router mode. The steps to enter the setup page as follows:

(Note: Please connect the wireless network management page to the single network port device)

(1) Under default configuration, power on the device and wait for the device to start for 90 seconds.

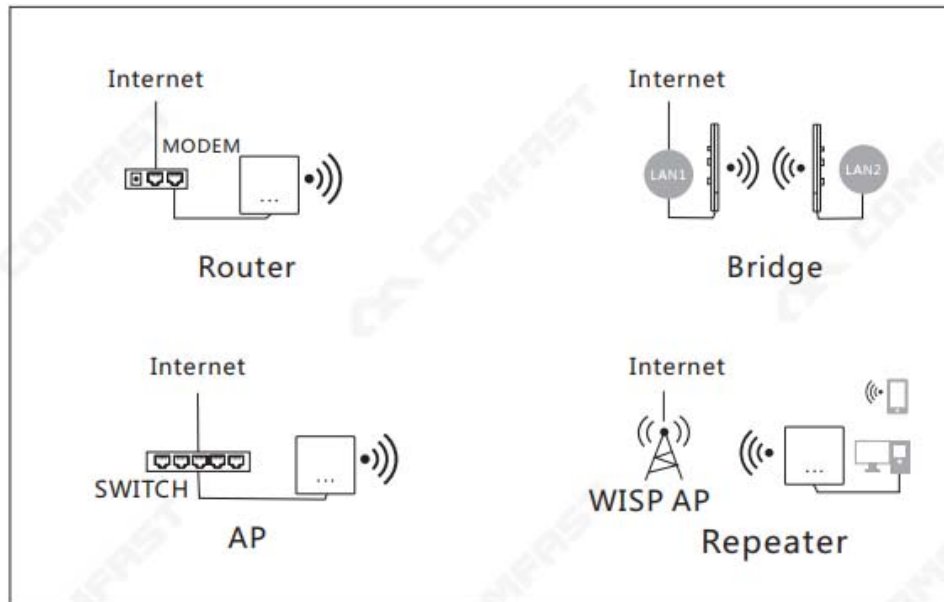
(2) Connect device wireless SSID (default is COMFAST_XXXX_2G/ COMFAST_XXXX_5G, XXXX is the last 4 digits of the MAC).

(3) Input 192.168.10.1 in the web browser to get into the setting page.

(4) Open the computer browser, and input 192.168.10.1 to get into the device login page (Default username: admin Default password: admin).The device language is compatible with Chinese and English to choose, and you can set up the language by the top right corner icon



4. When getting into the setting page, there are four working modes in the Wizard: AP Mode, Bridge Mode, Router Mode, Repeater Mode.



5. Click AP mode and set up IP Address and Subnet Mask. The IP address and Subnet mask should be within the same network segment as upper network and can't be conflict with IP address from upper network router. After settings, you can visit the device from the IP address you have set just now by connecting internet with WAN port of the device or POE adaper LAN port.

- ① Notes: In AP mode, the IP address from the other devices connected the AP will be allocated by the upper network router.
- ② The AP needs to set an intranet IP address (do not set the same IP address as the upper router). If want to manage the device, Manually set the IP address of the same network segment of the intranet IP.

1 Lan Settings 2 WiFi 2.4G 3 WiFi 5.8G 4 Finish

Lan Settings

IP Address

Subnet Mask

Next

6. AP Mode: You can set up 2.4G/5.8G wireless SSID, password, channel and country in advance. After setting up, the device's WAN port or POE adapter LAN port connected internet, other mobile devices can connect the SSID to surf the internet.

1 Lan Settings 2 WiFi 2.4G 3 WiFi 5.8G 4 Finish

2.4G Wireless

SSID

Password

Advanced Setting

Bandwidth

Country

Channel

Prev Next

7. Bridge Mode: Pls ensure the WDS in upper network is enabled. AP device can set up intranet segment (do not set the same IP address as the upper router), and then select the wireless SSID signal you need to bridge (Distinguish between 5.8GHz and 2.4GHz) and input wireless password.
(Notes: The password is same as your upper network router)

① Lan Settings
② Bridge Settings
③ WiFi 2.4G
④ WiFi 5.8G
⑤ Finish

Lan Settings

IP Address

Subnet Mask

Next

Scan Results Refresh

NO.	BSSID	SSID	Channel	Operation
1	40:A5:EF:84:E6:34	unknown	1	🔒 📶 ✍️
2	40:A5:EF:84:DE:64	unknown	1	🔒 📶 ✍️
3	40:A5:EF:85:48:21	unknown	2	🔒 📶 ✍️
4	00:E0:4C:81:96:D1	2.4G_COMFAST_8796C2	2	📶 ✍️
5	40:A5:EF:84:E6:31	unknown	1	🔒 📶 ✍️
6	40:A5:EF:84:DE:61	unknown	1	🔒 📶 ✍️
7	40:A5:EF:80:97:36	E325N_809736	2	📶 ✍️

Pls set the SSID and password for the device and click "Next" to finish settings.

① Lan Settings
② Bridge Settings
③ WiFi 2.4G
④ WiFi 5.8G
⑤ Finish

2.4G Wireless

SSID

Password

Prev **Next**

8. Repeater Mode: The AP device can set the internal network segment (the gateway IP should not be the same as the upper device gateway IP). Next, select the name of the wireless SSID signal that you need to relay (distinguish between 5.8GHz and 2.4GHz) and input wireless password.

(Notes: The password is same as your upper network router).

1 Lan Settings 2 Repeater Settings 3 WiFi 2.4G 4 WiFi 5.8G 5 Finish

Lan Settings

IP Address 192.168.10.1

Subnet Mask 255.255.255.0

Next

Scan Results Refresh

NO.	BSSID	SSID	Channel	Operation
1	40:A5:EF:84:E6:34	unknown	1	🔒 📶 ✏️
2	40:A5:EF:84:DE:64	unknown	1	🔒 📶 ✏️
3	40:A5:EF:85:48:21	unknown	2	🔒 📶 ✏️
4	00:E0:4C:81:96:D1	2.4G_COMFAST_8796C2	2	📶 ✏️
5	40:A5:EF:84:E6:31	unknown	1	🔒 📶 ✏️
6	40:A5:EF:84:DE:61	unknown	1	🔒 📶 ✏️
7	40:A5:EF:80:97:36	E325N_809736	2	📶 ✏️

Pls set the SSID and password for the device and click "Next" to finish settings.

① Lan Settings
② Repeater Settings
③ WiFi 2.4G
④ WiFi 5.8G
⑤ Finish

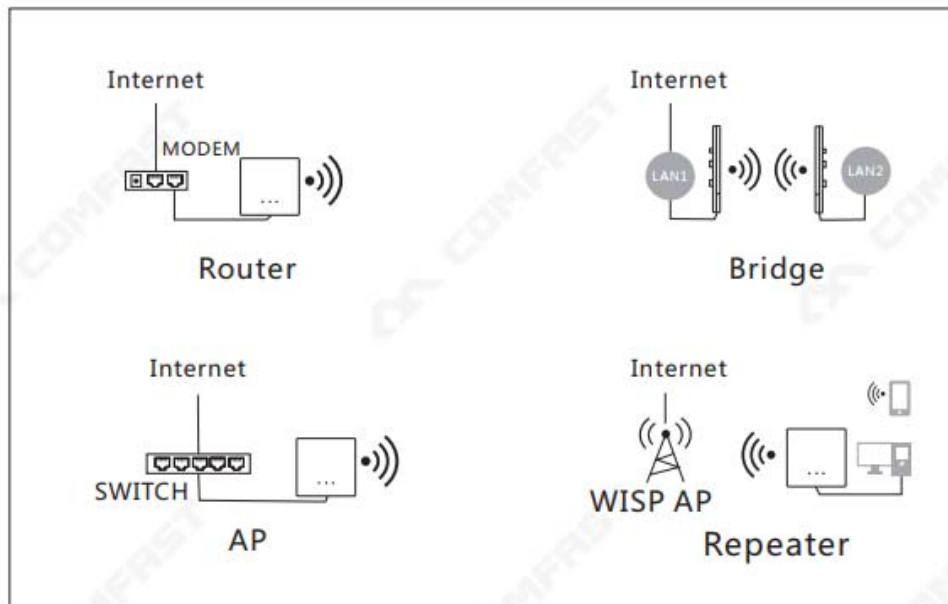
2.4G Wireless

SSID:

Password:

Prev

9. Router Mode: There are three ways to surf the internet: PPPOE, Static, and DHCP. (Pls refer to router setting as reference)



Quick Installation Guide

Statement

**Shenzhen Four Seas Global Link Network
Technology CO.,Ltd.Company
all rights reserved.**

Without our official written permission, no unit or individual shall be copied, reproduced, transcribed or translated in part or whole book. In any form or by any means (electronic, mechanical, printing, recording or other possible means) or for the propagation of goods any commercial, profitable purposes.

COMFAST is the registered trademark of Shenzhen Four Seas Global Link Network Technology Co., Ltd. Company. All other trademarks or registered trademarks mentioned in this document, by respective owners.

Product specifications and information mentioned in this manual are for reference on subject to updates without notice. Unless there are other special agreements, this manual is used only as a user guide. All statements, information, etc. do not constitute any form of guarantee.

Manufacturer: Shenzhen Four Seas Global Link Network
Technology Co., Ltd. Company
Address: Room 607-610, Block B Tao JINDI Electronic
Business Incubation Base, Tenglong Road, Longhua District,
Shenzhen, China
Hotline: 0755 83790059/83790659
Website: www.szcomfast.com

Warning:

This device complies with Part 15 of the FCC Rules. Operation is subject to the following two conditions: (1) this device may not cause harmful interference, and (2) this device must accept any interference received, including interference that may cause undesired operation.

changes or modifications not expressly approved by the party responsible for compliance could void the user's authority to operate the equipment.

NOTE: This equipment has been tested and found to comply with the limits for a Class B digital device, pursuant to Part 15 of the FCC Rules. These limits are designed to provide reasonable protection against harmful interference in a residential installation. This equipment generates, uses and can radiate radio frequency energy and, if not installed and used in accordance with the instructions, may cause harmful interference to radio communications. However, there is no guarantee that interference will not occur in a particular installation. If this equipment does cause harmful interference to radio or television reception, which can be determined by turning the equipment off and on, the user is encouraged to try to correct the interference by one or more of the following measures:

- Reorient or relocate the receiving antenna.
- Increase the separation between the equipment and receiver.
- Connect the equipment into an outlet on a circuit different from that to which the receiver is connected.
- Consult the dealer or an experienced radio/TV technician for help.

NOTE: This device and its antenna(s) must not be co-located or operation in conjunction with any other antenna or transmitter

RF Exposure Statement

To maintain compliance with FCC's RF Exposure guidelines, This equipment should be installed and operated with minimum distance of 20cm the radiator your body. This device and its antenna(s) must not be co-located or operation in conjunction with any other antenna or transmitter