  
**User manual**  
Service Hotline : 909-829-5646  
909-829-koho

**PICO PROJECTOR(P10) User manual**

### Table of contents

Introduction .....	01
Caution .....	02
Warnings and Cautions .....	03
FCC information .....	05
Location of Parts and Controls .....	07
Remote Control (options) .....	09
Projector installation place .....	10
Startup the projector .....	11
Video play .....	11
Play multimedia files by using file manager .....	12
Connect input source .....	13
WIFI connection .....	13
Browser .....	14
Connect with the computers .....	15
Troubleshooting .....	16
Specification .....	17

### Introduction

This product use TI 0.3 inch DMD chip, cooperate with RGB LED display technology. LED light source, using LED RGB trichromatic LED chips, the life up to 20000 hours, in terms of 6 hours watching TV every day, life is about 10 years, much higher than general projector bulb lamp life 3000 hours. Its brightness to 100 lumens, making the products in the field of video, games, entertainment and mobile commerce, have got well.

The projector with AV input interface, USB/micro SD card input interface, Audio, Audio output interface, with built-in speakers and infrared receiver control, users only need to insert USB disk or micro SD card, for the most part can decipher the format of the video. The projector is with built-in smart Android system, easily interpreted PPT, PDF, and other documents instead of a computer Support wireless Internet surfing, Various Software and Game

When you buy the projector, please read the user manual, it is the foundation of you are familiar with and master and operate the projector, I wish you a happy use!

—01

### CAUTION

- TO REDUCE THE RISK OF ELECTRIC SHOCK, DO NOT REMOVE COVER. THERE ARE NO SERVICEABLE PARTS INSIDE.
- TO REDUCE THE RISK OF FIRE OR ELECTRIC SHOCK, DO NOT EXPOSE THIS UNIT TO RAIN OR MOISTURE.

**⚠** The lightning flash with arrow-head symbol within an equilateral triangle is intended to alert the user to the presence of uninsulated "dangerous voltage" within the unit's enclosure that may be of sufficient magnitude to constitute a risk of electric shock.

**⚠** The exclamation point within an equilateral triangle is intended to alert the user to the presence of important operating and maintenance (servicing) instructions in the literature accompanying the unit.

**⚠** Avoid staring/facing directly into the projector beam at all times

### Important safety Instructions

All of the safety and operating instructions should be read, adhered to and followed before the unit is operated.

—02

### DANGER

To reduce the risk of electric shock, burns, fire or injury:

- Do not use while bathing or in a shower.
- Do not place or store unit where it can fall or be pulled into a tub or sink.
- Do not place in, drop or submerge in water or other liquid.
- Do not reach for unit that has fallen into water. Unplug it immediately.
- Care should be taken so that objects do not fall and liquids are not spilled onto the unit.

### WARNING

- Close supervision is necessary when this appliance/product is used by or near children or mentally disabled individuals.
- Use this unit only for its intended use as described in this manual.
- Unplug this unit during lightning storms or when unused for long periods of time.
- Never drop or insert an object into any opening.
- Protect the adapter cord from being walked on or pinched, particularly at plug outlets, convenience receptacles and the point where it exits the unit.
- Do not allow adapter cord to touch hot surfaces. Wrap cord loosely around the unit when storing.

—03

- The unit should be situated away from direct sunlight or heat sources such as radiators, electric heaters, heat registers, stoves, or other units (including amplifiers) that produce heat. Avoid placing on top of stereo equipment that radiates heat.
- Never block the air openings of the unit with materials such as clothing, plastic bags or papers, or place it on a soft surface such as a bed or couch, where the air openings may be blocked.
- Do not overload electrical outlet. Use only the power source as indicated.
- Do not carry this unit by cord or use cord as handle.
- Never operate this unit if it has a damaged cord or plug, if it is not working properly, or if it has been dropped or damaged, or dropped into water. If the unit's power supply cord or plug is damaged, do not attempt to fix it yourself.
- To avoid the risk of electric shock, do not disassemble or attempt to repair the unit. Incorrect repair can cause risk of electric shock or injury to persons when unit is used.
- Do not operate in the presence of explosive and/or flammable fumes.
- Never remove the plug from the socket by pulling the power cord.
- Clean only with dry cloth.
- Don't stick alcohol such as detergent to clean with wet cloth lens

—04

### Warning

This Product Contains A Rechargeable Battery

- Do not store this product in high temperatures, damp areas or in direct sunlight.
- Never disassemble the product.
- Never dispose of the product in fire or water, which may result in explosion and/or injury.
- Keep product out of reach of children.
- Do not touch product with damp hands.
- Dispose of the product properly.
- The product must not be discarded with ordinary household waste.
- Contact your local recycling center for proper disposal.

### Accessories

**Standard Accessories :**  
Projector(1pc),USB cable(1pc), Power Adapter(1pc),User manual(1pc), AV cable(1pc),Flannelette bag(1pc)  
**Options accessory: air mouse (gyroscope), air keyboard , Tripod , Remote control**

### FCC Information

This device complies with Part 15 of the FCC Rules. Operation is subject to the following two conditions:  
1) This device may not cause harmful interference.

—05

2) This device must accept any interference received including interference that may cause undesired operation.

**Warning:** Changes or modifications to this unit not expressly approved by the party responsible for compliance could void the user's authority to operate the equipment.

**Note:** This equipment has been tested and found to comply with the limits for a Class B digital device, pursuant to Part 15 of the FCC Rules.

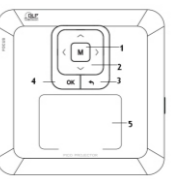
These limits are designed to provide reasonable protection against harmful interference in a residential installation. This unit generates, uses, and can radiate radio frequency energy and if not installed and used in accordance with the instructions, may cause harmful interference to radio communications. However, there is no guarantee that interference will not occur in a particular installation. If this equipment does cause harmful interference to radio or television reception, which can be determined by turning the equipment off and on, the user is encouraged to try and correct the interference by one or more of the following measures:

- Reorient or relocate the receiving antenna.
- Increase the separation between the equipment and receiver.

—06

### Location of Parts and Controls Top

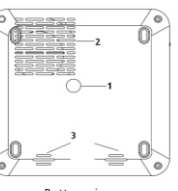
- Menu
- Left, Right, Down, Up
- Return to previous menu
- OK
- Capacitive touch area (In the area with a finger to move the cursor, and then double-click to confirm)



Top view

### Bottom

- Tripod Dock hole
- Intake port
- Speaker



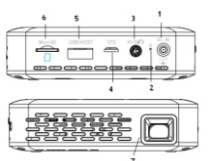
Bottom view

—07

**KOHO TECHNOLOGY INC(USA)**  
ADD:12246 Colony Ave,Suite 300 China,CA 92710  
Service Hotline : 909-829-5646 909-829-koho  
E-mail:service@kohotech.com  
Web site : www.kohotech.com

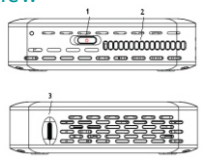
### Front View & Rear View

- DC IN 12V/1.5A
- R RESET
- AV IN /Audio out
- USB OTG
- USB HOST
- Micro SD Card Slot
- Project lamp




### Right view & Left view

- POWER ON/OFF (Right push the switch to show red color for open)
- Outlet
- Focus adjustment



### Remote Control (options)

	Turn down the volume
	Turn up the volume
	Choose to confirm
	MENU
	Return to previous menu
	N/A
	Direction of the arrow, can choose the required to adjust the menu item



—08

### Tips:

Multiple use of capacitive touch area:

- In main menu or picture viewing mode, double-click the touch area and fast moving left or right to turn to front or next page.
- In browser or setting mode, double-click the touch area and finger don't leave touch area after the second click, then slide upward or downward to view more contents.

### Replace the remote control battery and battery safety guidelines



- Can only use Lithium, CR2025, 3.0 V battery, pay attention to the above the right direction to install batteries.
- Used for the first time to protect the plastic of the battery removed.
- Do not throw the battery into the fire or explosion hazard.
- If the battery finished with or without the remote control for a long time, please take out the battery to prevent battery leakage damage the remote control.

—09

### Projector installation place

- To install, after a vote of the geometry distortion in image will not appear in trapezoidal state, the projector should be placed in a horizontal position (e.g., flat on the table), and perpendicular to the center of the screen (90° right-angle direction).
- The projector can display media just about anywhere! However, for the best quality, we suggest you find a light colored wall (preferably smooth and white) and place the projector with its lens facing the location. The projector can show media up to 120°, just move the projector towards and away from the wall to adjust the size of the picture. Dimming room lights will also add to viewing quality.
- The distance between the projector and screen:

Screen diagonal size	Projection distance
40 inch,101.6cm	142cm, 55.9 inch
60 inch,152.4cm	213cm, 83.86 inch
80 inch,203.2cm	284cm, 111.8inch
100 inch,254cm	355cm,139.76 inch

### Charging the Projector

- The projector is charged using the included AC Adapter.
- The LED Indicator Light will illuminate Red to indicate

—10

that the projector is currently charging and then revert to blue when the projector is fully charged.

**Important:** It takes approximately 3 to 5 hours to fully charge the projector for the first use, and the approximate working time is 2 hours.

- A low battery icon will show on the screen when the projector battery is low. Use the included AC Adapter to charge your projector. If the battery is too low, the projector will automatically shut off.

### Start up the projector

- Connect one end of the AC adapter to the Projector 12V port and plug the other end into an electrical outlet.
- Press the Power button to turn the projector on
- When the picture is not clear, through focus adjustment upon the gear make clear picture You can also use the built-in battery inside machine to start the projector directly

### Video play (Play video in USB and micro SD card)

- Insert U disk or micro SD card into the projector corresponding socket
- Press the Power button to turn the projector on Finger moves in the capacitive touch screen area, move the cursor to the video icon , click the icon to confirm

—11

### Play multimedia files by using file manager

- Finger moves in the capacitive touch screen area, move the cursor to the "android" icon , move the cursor to the "File manager" icon , click the icon to confirm
- Fingers to move the cursor to choose what you want and broadcast

Support the video format: RM, RMVB, MPEG, MKV, AVI, MP4, MOV, FLV, H.263, H.264, 3GP, DAT, VOB, TS, WMV ---

The maximum support 1920\*1080P

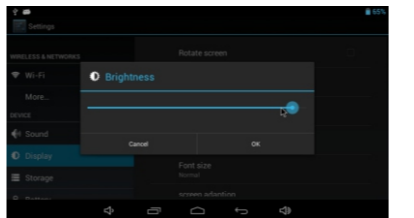
Support the audio format: MP3, WMA, MP2, AAC, MA4, MA4, FLAC, WAV ---

Adjusting volume: Long press the panel on the left, right or volume switch to adjust the volume on the remote control.

Adjust brightness

- Fingers move in the capacitive touch screen area, click the icon to confirm
- Choose "Display" , "Brightness" , fingers drag the cursor to adjust the brightness, Enter "OK" to confirm,

—12



### AV input source

- The projector off, Connect the AV cable (included) to the AV port and the other end to your device.
- Press direction key, Select the AV in icon , press SELECT knob, followed by AV in

### WIFI connection

You can connect projector to WIFI network:

- In the homepage interface, click the settings button
- Click wireless and network.
- Drag WIFI to "ON" . Projector will automatically scan available WIFI networks.
- Choose the WIFI network you prefer. If it is private WIFI network, then the password having been set should be input.

—13



### Browser

Enter into homepage

The browser always habitually shows the last homepage visited by user, the homepage will appear when it enters into the browser on boot.

### Change your home page

- Finger moves in the capacitive touch screen area, Click browser icon .
- Press the icon , menu of browser settings pops up.
- Click Settings.
- Click settings home page. Input website, and click "OK". enters into the browser on boot.

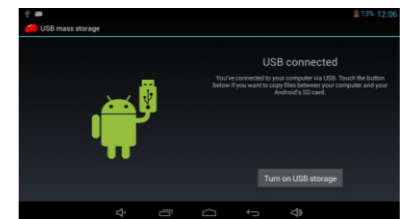
—14

### Find the words in webpage

- When browsing the web, press menu button and menu options pop up.
- Click more.
- Click a homepage you want to visit.
- Enter your search projects.
- When you input characters, words will change from white to green.
- Click the arrow on search column to move on searching.

### Connect with the computers

- Connect OTG interface of projector with computer by USB cable
- According to the tips on the screen , do the corresponding operations you want



—15

### Trouble shooting

Q. The Projector cannot show the video on the wall.

A. Recharge your device's battery. Also, check to see if the HDMI cable is fully inserted into the Projector and your device.

Q. The video showing on my wall is blurry.

A. Adjust the Focus Wheel on the Projector to fine-tune the picture. It may also depend on the surface on which you are attempting to show your video. Try moving to a location with a smoother wall surface.

Q. I cannot get my device to work at all with the projector and its battery is fully charged.

A. Make sure the cables are inserted into the correct ports and test connections.

Q. No signal - I am getting no input from my device.

A. Make sure your device is on - and fully charged. Q. The system is abnormal.

A. Installing the 3rd party program may cause in failure operation, press RESET (near power connector) to reset the system.

—16

### Specification

Native Resolution:	854 x 480 (WVGA)
Display technology:	0.3" · DMD, TI DLP
LED brightness:	100 ANSI Lumens
LED Lamp Life:	Approximately 20000 hours
Image Size:	120 inch
Color Gamut(typical):	100% of NTSC
Projection offset:	100% offset
Contrast ratio(FOFO):	1000:1
Screen Aspect Ratio:	16:9
Uniformity:	85%
Throw ratio:	1.6:1
Speaker:	2x1W Speakers
Power:	7.4V 2000MAH Rechargeable Battery
Battery Life:	2 Hours (Fully Charged)
DC IN:	12V/1.5A
UNIT Dimension:	100x99x27mm

—17