



## **Netween Router User Manual**

# Table of Contents

<b>Components</b>	3
<b>Product Feature</b>	3
<b>Installation Precautions</b>	4
<b>Product &amp; Explanations</b>	
1. Front of the Netween	5
2. Back of the Netween	6
<b>Netween Default Connection</b>	
1. General Internet Network	7
2. Environment using a Modem	7
<b>Netween Default Set</b>	
1. Internet Connection Settings	8
1) Auto IP set	8
2) Static IP set	9
3) PPPoE set	10
2. Wireless Default Setting and security setting	11
1) How to setting wireless security	11
2) How to setting wireless check	11
<b>Firmware Upgrade</b>	12
<b>Load Default Setting</b>	13

# Netween Router Components

Netween Router



1M LAN cable



Power Adapter



User Manual



# Netween Router Product Features



## C140T

### Wireless

- 802.11n(draft 2.0), 802.11b/g
- 1T1R
- Up to 300Mbps
- Multiple SSID
- SSID broadcast
- Auto transmission speed
- WDS Wireless bridge
- Wi-Fi Multi Media
- Auto Channel Select
- WPS
- OFDM, DSSS, MIMO
- 2.4 Ghz

### Network Protocol

- PPPoE
- DHCP
- MAC cloning
- Port forwarding
- QoS for MAC and IP
- IGMP Proxy
- DDNS
- UPnP
- VPN Server
- DMZ, Special DMZ
- NAT

### Security

- 64/128/WEP
- WPA/WPA2, WPA-PSK/WPA2-PSK(TKIP/AES)
- Hidden SSID
- Access Control List
- Packet Filtering
- Web Contents/URL filter
- Parent Control

### Others

- Login(ID/PW)
- Auto-Firmware upgrade
- Remote Web management
- System log
- WOL

## Specification

Wireless Interface	IEEE802.11b/g/n (Draft 2.0)
CPU	384Mhz MIPS 34bit
WAN Interface	1 x 10/100Base-Tx, Auto MDI/MDIX
LAN Interface	4 x 10/100Base-Tx, Auto MDI/MDIX
Status LED	Power, WLAN, WAN, LAN x 4, WPS
DRAM	16Mbytes
FLASH	4Mbytes
Power	Input : 100~240VAC, 50~60Hz
	Output : 5VDC, 2A
Operating Temp.	0 ~ 50°C
Tx Power	14dBm ± 2dBm
Rx Sensitivity	-65dBm @130Mbps
	-68dBm @54Mbps
	-84dBm @11Mbps
Antenna	3 dBi x 2 antenna

# Installation Precautions

Read the notes below before installing



The power adapter must be a standard adapter that is supplied with Netween adapter products.



Must seek professional help when product is damaged, please avoid further deteriorating or opening the case of the product.



Be careful not to drop or apply strong collision to the product.



Please avoid setting in places with direct sunlight, dust, excessive vibration or unstable places before and after you install the product.



If the exterior adapter devices of the Netween are cleaned with alcohol, benzene, acetone, etc. or any flammable liquids, this alteration to the surface will cause chemical changes. In case of contact with other material please wipe the area with a dry cloth.



The power being supplied must be stable. In the case of the power supply develops sparks or noises, a power control device must be installed.



Never touch the power supply area when the power cord is connected due to risks of electric shocks. When installing or moving the product, power switch must be turned off and all the connected cables must be unplugged.



Pay attention not to overload wiring connections when connected the power source.

- The information contained in this manuscript can be changed without agreement or separate notice of individual users.
- According to individual user's internet service provider's terms and regulations, some environmental constrains of the product performance and feature limitations may be encountered.
- We will not take responsibility of any line disability issues during usage of this product.

# Product & Explanation

## Front of the Netween



### **Power / ON**

Shows the power supply is normal



### **WLAN / Flicker**

Shows wireless is in operating conditions



### **WPS / only flickers when activated**

WPS supported devices and confirmation process is in progress



### **WAN / Flicker**

Shows external internet cable is connected and data communication is in progress

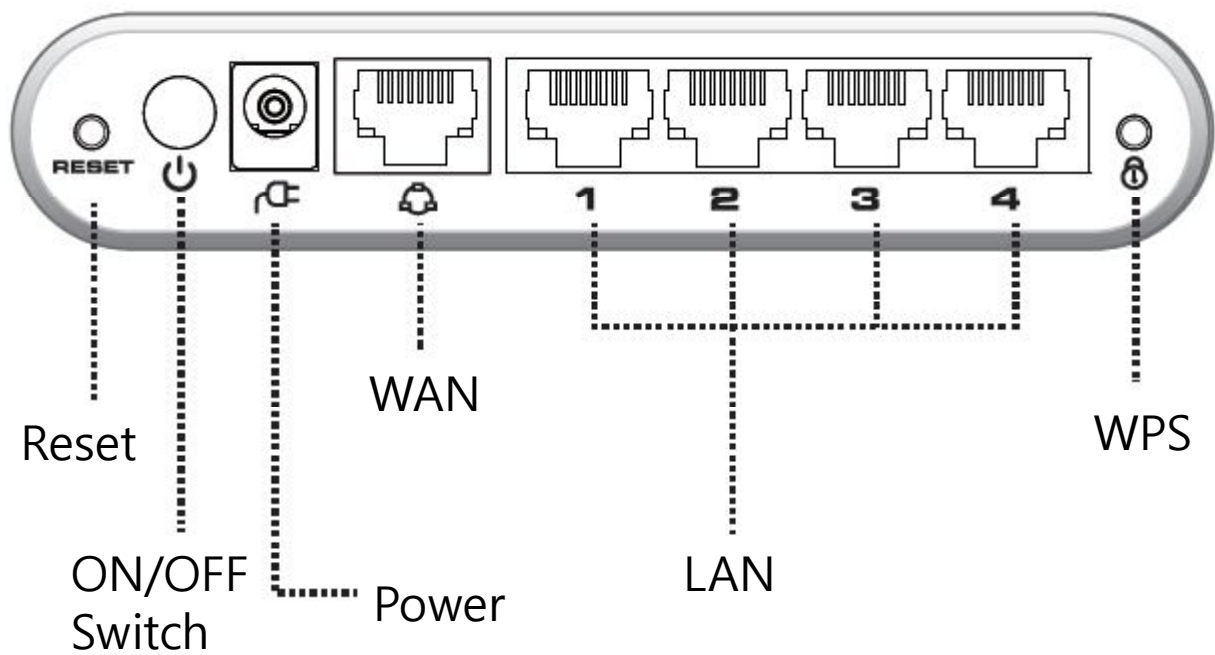
**1 2 3 4**

### **LAN /Flicker**

PC and cable is connected and shows data communication is in progress

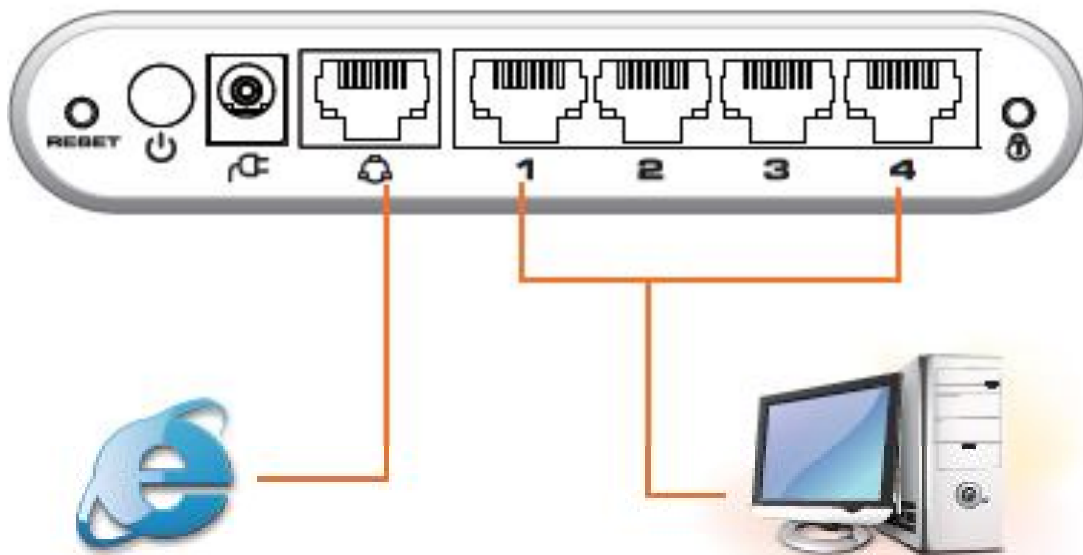
\* WPS (Wifi Protected Setup)  
A feature to set up easily without complex security settings between adaptor and WPS function supported terminals.

## Back of the Netween

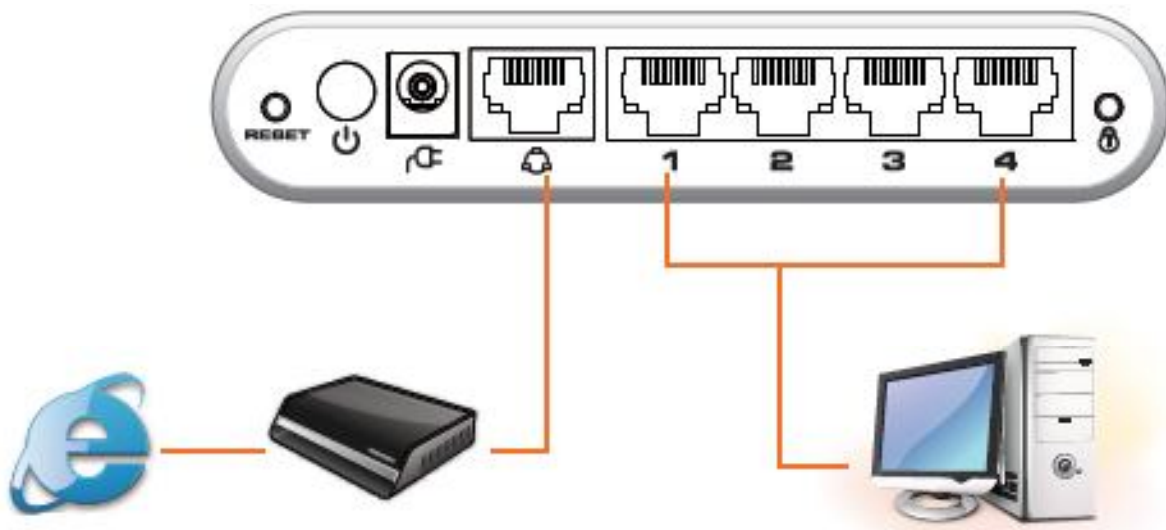


# Network Default Connection

## General internet environment



## Environment using a Modem



## How to install

1. Connect the power supply adaptor to the router's body.
2. With modem methods, disconnect the LAN cable that is connected to the modem connected to the PC and connect it to the router (WAN port). When with modem doesn't have an optical LAN, separate the socket of the terminal from the PC and connect it to the router (WAN port). Make sure the LED of the (WAN) is working normally.
3. After turning on the PC, connect the LAN cable that is enclosed with the product to the PC and into 1 2 3 4, one of the LAN ports of the router. Make sure the LED of 1 2 3 4 are functioning.
4. Reboot the PC and see if the internet working

## Netween default set

### Internet connection set

- If internet is automatically connected, internet can be used without additional connection settings

#### 1. Dynamic IP(DHCP)

Netween router is set to automatically receive IP method in default. Enter address <http://192.168.1.1>- Expert Setting- WAN Interface Setting

#### WAN Interface Settings

In this page, you can set the basic network parameters of the WAN interface.

WAN Interface Connection Type	<input type="text" value="Dynamic IP(DHCP)"/>
IP Address	<input type="text" value="221.165.151.195"/>
Subnet Mask	<input type="text" value="255.255.255.0"/>
Gateway	<input type="text" value="221.165.151.1"/>
Packet MTU (byte)	<input type="text" value="1500"/> (Default: 1500. Do not modify it unless it is necessary.)
<input type="checkbox"/> Manually set the DNS server	
DNS Server	<input type="text" value="168"/> <input type="text" value="126"/> <input type="text" value="63"/> <input type="text" value="1"/>
Secondary DNS Server	<input type="text" value="168"/> <input type="text" value="126"/> <input type="text" value="63"/> <input type="text" value="2"/> (Optional)
<input type="checkbox"/> Obtain the IP address in the unicast mode (it is not recommended)	
<input type="button" value="Save"/> <input type="button" value="Cancel"/>	



## 2. Static IP

Set when router is connected

- 1) After accessing to 192.168.1.1 on the internet address bar, change the internet to (Static IP) from (Expert Setting) → (Network Setting) → (WAN Interface Setting) and enter the given Static IP and click SAVE

WAN Interface Settings

In this page, you can set the basic network parameters of the WAN interface.

WAN Interface Connection Type: Static IP

IP Address: [ ][ ][ ][ ]

Subnet Mask: [ ][ ][ ][ ]

Gateway: [ ][ ][ ][ ]

Packet MTU (byte): 1500 (Default: 1500. Do not modify it unless it is necessary.)

DNS Server: [ ][ ][ ][ ]

Secondary DNS Server: [ ][ ][ ][ ] (Optional)

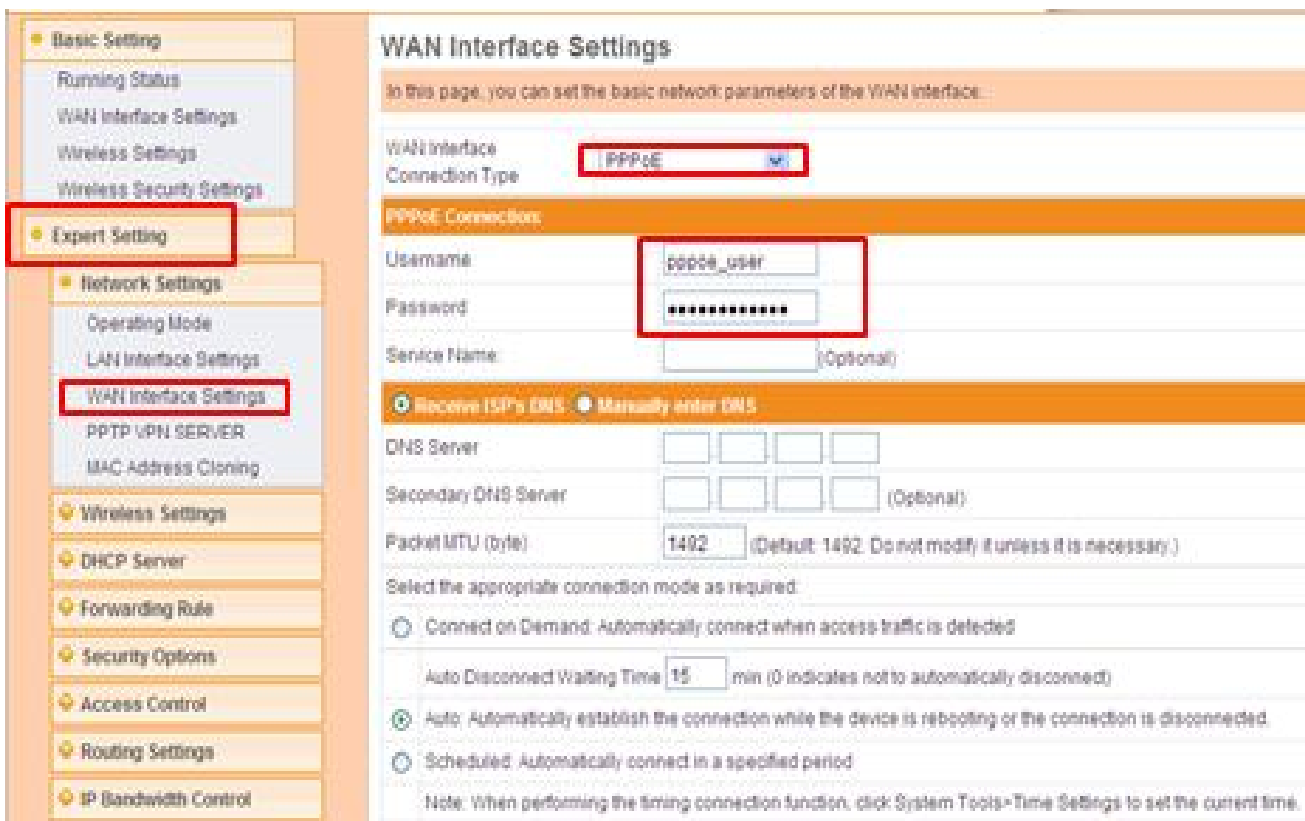
Save Cancel

- 2) Savings are completed when the screen turns white and back to its original form.

### 3. PPPoE (ADSL User)

Set when router is connected

- 1) After inserting internet access address 192.168.1.1 go to [Expert Setting]→[Network Setting] →[WAN Interface Setting] and change the internet connection form to [PPPoE] and insert the user ID and password of the telecommunication company that you have signed up, click SAVE



- 2) Savings are completed when the screen turns white and back to its original form.

- 3) After saving, confirm if the wired and wireless internet is working

# Wireless default setting and security setting

- Available change wireless router's name and setting type of encryption.
- You can choose type of encryption (Not Certification, WEP, WPA-PSK, WPA-PSK2, etc. )

## 1. How to setting wireless security

- 1) Available change Subsystem Identification (Wireless router's name) to easy for remember.

**Wireless Basic Settings**  
In this page, you can set the basic network parameters of the wireless network of the router.

**Wireless Network**

Wireless Status:  wireless enable  wireless disable  
 Display multiple SSID

SSID1: NetweeN  Check Duplication  Hidden  Isolated

Mode: 11b/g/n mixed mode

Channel: 6

Broadcast Network Name (SSID):  Enable  Disable

MIBSSID AP Isolation:  Enable  Disable

BSSID: 00:25:A6:AB:4F:C0

Frequency Bandwidth:  20  20/40

MCS: Auto

Extension Channel: 10

## 2. How to check wireless security

- 1) You can choose type of encryption (Not Certification, WEP, WPA-PSK, WPA-PSK2, etc ).

**Wireless Security Settings**  
In this page, you can set the security parameters of a wireless network.

Select SSID

SSID: NetweeN

**NetweeN**

Security Mode: WPA:PSK/WPA2-PSK

**WPA**

WPA Algorithms:  TKIP  AES  TKIP+AES

Pass Phrase: 12345678

Key Renewal Interval: 3600 seconds



For your security, we suggest that change Subsystem Identification (Wireless router's name)

We suggest to you setting the encryption type security (WEP/WPA-PSK)

Your valuable data(Password, Credit card number, Internet banking)

When connect wireless LAN.

# Firmware Upgrade

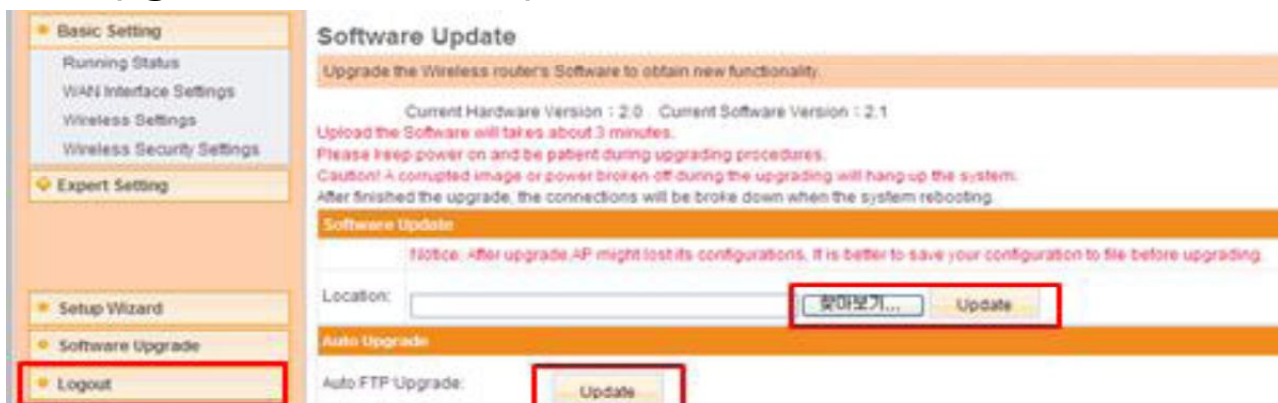
- It is better to upgrade to the latest version periodically to increase function of Netween products.

## 1. Manual upgrade

- 1) Download the right firmware file as the router model through the homepage (<http://www.netween.co.kr>)
- 2) Click the left menu shown in the picture below
- 3) Click (Browse) and select the file that is downloaded
- 4) Click (Update)
- 5) It will take around 3 minutes for the firmware guide to be shown.

## 2. Automatic upgrade

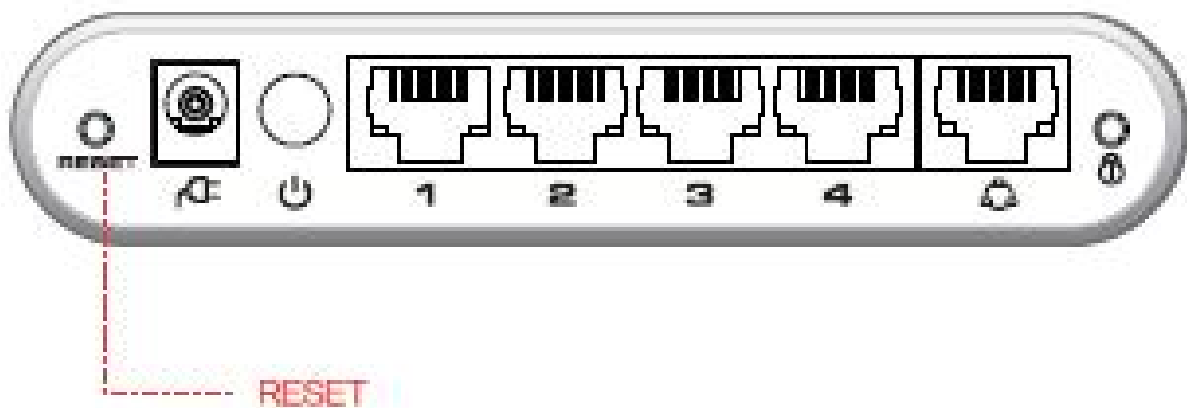
- 1) Click (Update) next to auto FTP upgrade
  - 2) Upgrade in progress
  - 3) Due to overload of the server, the auto-upgrade process may not be smooth.
- Manual upgrade is recommended when auto-upgrade cannot be processed.



## Load Default Setting(RESET)

- Product will return to its initial settings as when was first manufactured.

After resetting, all settings will return to load default settings so user must set the settings again.



1. Connect the adapter to the router and check the status of the LED
2. There is a reset button at the back of the product.
3. By using objects that have a sharp point such as a pencil, press and hold the reset button for a while.
4. When the LEDs, except for the power switch, goes on again reset is completed.

## **FCC ID: N7SC340T**

This equipment has been tested and found to comply with the limits for a Class B digital device, pursuant to part 15 of the FCC Rules.

These limits are designed to provide reasonable protection against harmful interference in a residential installation.

Operation is subject to the following two conditions.

- 1) This device may not cause harmful interference, and
- 2) This device must accept any interference received, including interference that may cause undesired operation.

This equipment can generate, use and radiate radio frequency energy and, if not installed and used in accordance with the instructions, may cause harmful interference to radio communications. However, there is no guarantee that interference will not occur in a particular installation.

If this equipment does cause harmful interference to radio or television reception, which can be determined by turning the equipment off and on, the user is encouraged to try to correct the interference by one or more of the following measures:

- Reorient or relocate the receiving antenna.
- Increase the separation between the equipment and receiver.
- Connect the equipment into an outlet on a circuit different from that to which the receiver is connected.
- Consult the dealer or an experienced radio/TV technician for help.

Caution: Any changes or modifications not expressly approved by the party responsible for compliance could void the users authority to operate the equipment.