

DDW3641 Advanced Wireless Gateway - Safety and Installation Product Insert

Federal Communications Commission (FCC) Interference Statement

This device has been tested and found to comply with the limits for a Class B digital device, pursuant to Part 15 of the FCC Rules. These limits are designed to provide reasonable protection against harmful interference in a residential installation. This device generates, uses, and can radiate radio frequency energy. If not installed and used in accordance with the instructions, the device may cause harmful interference to radio communications. There is no guarantee, however, that interference will not occur in a particular installation. If the DEVICE causes harmful interference to radio or television reception, which can be determined by turning it off and on, the user can try to correct the interference by one of the following measures:

- Increase the separation between the DEVICE

and the equipment with which it is interfering (for example, a television or radio).

- Connect the DEVICE into an electrical outlet on a different circuit than the interfered device is connected.
- Consult the dealer or an experienced radio/TV technician for help.

FCC Regulatory Information

This device complies with Part 15 of the FCC Rules. Operation is subject to the following two conditions: (1) This device may not cause harmful interference, and (2) this device must accept any interference received, including interference that may cause undesired operation.

There is one statement for this product:

- Only the type of PIFA antenna tested may be used.

FCC Caution: Any changes or modifications not expressly approved by the party responsible for compliance could void the user's authority to operate this device.

IEEE 802.11b or 802.11g operation of this device in the U.S.A. is firmware-limited to channels 1 through 11.

For operation within 5.15 ~ 5.25GHz / 5.47 ~5.725GHz frequency range, it is restricted to indoor environment.

FCC Radiation Exposure Statement:

This device complies with FCC radiation exposure limits set forth for an uncontrolled environment. This device should be installed and operated at a minimum distance of 20cm between itself and your body.

This device must not be co-located or operating in conjunction with any other antenna or transmitter.

Safety Notices

Read these instructions carefully before operating the device. It is important to be aware of these safety instructions. Install the device according to these instructions and keep this guide for future reference.

1. Do not use this device in a humid space, in the rain, or near splashing water.
2. Do not install during thunder or lightning storms.
3. Do not cover any ventilation openings in the device case.
4. Do not place the device near heat sources such as radiators or stoves.
5. Clean the device only with a clean, dry cloth. Do not use liquid or chemical cleaners.
6. Avoid static discharge when touching the device by first touching the coaxial connector of the coaxial cable.

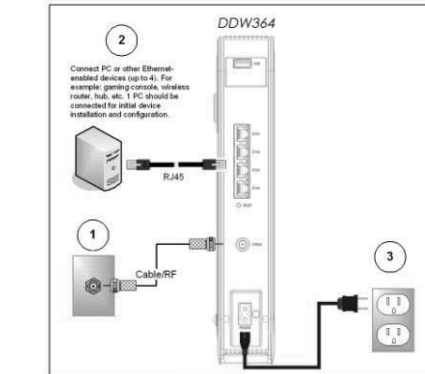
7. Installation of the device should include grounding the coaxial cable to the earth at the building entrance per ANSI/NFPA 70 and the National Electrical Code (NEC, in particular, Section 820.93, Grounding of the Outer Conductive Shield of a Coaxial Cable). The device is designed for IT power systems with phase-to-phase voltage at 120V.
8. **Disconnecting the Device:** If the device becomes damaged or encounters some other abnormality, disconnect the power plug from the AC wall outlet immediately.
9. The device should be installed in a location not to exceed the maximum temperature of 40 degrees Celsius (104 degrees Fahrenheit).
10. When this device is placed upright with the aid of the stand, the stand must be fixed at a 90-degree angle to the device. Otherwise, the device will have the risk of tipping over.

Installation

To install this device, follow the procedures below and refer to the following page for a connection diagram.

1. Connect one end of a coaxial cable (not included) to the CABLE port on the device. Connect the other end to a cable splitter or the cable wall outlet. Be sure not to bend or over tighten the cables as this may strain the connector and cause damage. If you plan to connect the device and a television to the same cable wall outlet, you must use a cable line splitter (not included).
2. Connect one end of the supplied Ethernet cable to one of the ETHERNET ports (ETH1 to ETH4) on the device. Connect the other end to the ETHERNET port on a PC. Note: Category 5e or Category 6 Ethernet cables with RJ-45 connectors must be used when connecting Ethernet devices to the LAN ports. This ensures Gigabit Ethernet speeds (unless the computer does not support it).

3. Connect the power cord to the POWER port on the device. Plug the other end of the power cord into the AC wall outlet. **Important:** Use only the power cord that is shipped with the device.

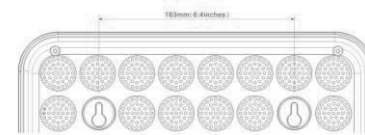


Wall-Mount Installation

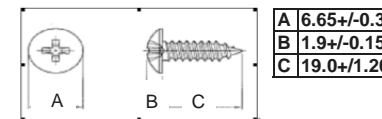
You can mount the device on a wall using the 2 mounting brackets on the bottom of the device. We recommend that you use two round or pan head screws.

1. Install two screws horizontally apart on a wall using the measurement shown to the right. The screws should protrude from the wall so that you can fit the device between the head of the screw and the wall. If you install the screws in drywall, use hollow wall anchors to ensure that the unit does not pull away from the wall due to prolonged strain from the cable and power connectors.
2. Remove the device from the product package.
3. Mount the device on the wall.
4. Refer to the following figure.

163mm (6.4 inches)



The Distance of the Pothook (Horizontal)



A	6.65+/-0.35
B	1.9+/-0.15
C	19.0+/-1.20

The Screw's Size (mm)

Additional Information

1. **RESET Button (back of device):** This button resets the device to factory defaults. Using a pointed object, insert it into the button opening, and hold for more than 10 seconds. The device will reset and reboot. **Note:** Not all parameters are reset to factory defaults. Refer to the User Guide for more information.
2. **WPS button (top of device):** The WPS button is used for the Wi-Fi Protected Setup (WPS) method to connect a Wi-Fi device to the DEVICE. Refer to the User Manual for more information.
3. **USB Connector (back of device):** If the USB connector is supported and enabled by the service provider, some USB devices can be connected here, such as computers, flash drives, etc.

LEDs and Other Device Indicators

See the following diagram and descriptions of the

device's LED behavior, and the behavior of the back-panel Ethernet indicators.

LED Indicators (Color = Blue When On):



Power—If On, indicates that the device has successfully completed internal power-on tests. LED flashes if power-on fails. Note that the LED flashes briefly immediately after powering the device.

US/DS—When the device initializes, the LED flashes. When the device locks on to channels and registers OK, the LED is On. When the device performs a firmware upgrade, the LED flashes.

On-line—When the device is obtaining an IP address and configuration file, the LED flashes.

When device obtains these items, the LED is On.

Wi-Fi—When Wi-Fi is enabled, the LED is On. When Wi-Fi is disabled, the LED is Off.

WPS (top of device)—If not used, the LED is Off. When the user pushes the WPS button or triggers WPS via the device's web GUI, the LED flashes white for 4 minutes until a PIN is entered from a wireless client that wishes to connect. After a Wi-Fi client attaches successfully, the LED remains solid white for 5 minutes, and then turns off.

Back Panel Ethernet Indicators (Color = Orange or Green):

- When an Ethernet device, such as a computer, is connected to the device, the LED is Orange when connected at 10/100 Mbps speeds.
- When an Ethernet device, such as a computer, is connected to the device, the LED is Green when connected at 1000 Mbps speeds (Gigabit Ethernet).

- When data is being passed between the device and the connected device, the LED flashes.

