

***MSI MP11B2 (MS-6827)***

***Wireless 11b MiniPCI Card***

---

***(For OEMs use only) User's Guide***

## ***FCC Caution***

1. The device complies with Part 15 of the FCC rules. Operation is subject to the following two conditions:
  - (1) This device may not cause harmful interference, and
  - (2) This device must accept any interference received, including interference that may cause undesired operation.
2. FCC RF Radiation Exposure Statement: The equipment complies with FCC RF radiation exposure limits set forth for an uncontrolled environment. This equipment should be installed and operated with a minimum distance of 20 centimeters between the radiator and your body.
3. This Transmitter must not be co-located or operating in conjunction with any other antenna or transmitter.
4. Changes or modifications to this unit not expressly approved by the party responsible for compliance could void the user authority to operate the equipment.

### ***NOTE:***

*This device is approved for OEM installation with specified antennas as listed in this Manual. It is the responsibility of the Installer to comply with the separation distance for satisfying RF exposure compliance and 15.19 labelling requirement that the final end product must be labeled in visible area with the following: "Contains TX FCC ID:I4L-MS6827"*

## ***Copyright Notice***

The material in this document is the intellectual property of **MICRO-STAR INTERNATIONAL**. We take every care in the preparation of this document, but no guarantee is given as to the correctness of its contents. Our products are under continual improvement and we reserve the right to make changes without notice.

## ***Trademarks***

Microsoft Windows and Internet Explorer are registered trademarks or trademarks of Microsoft Corporation.

All brand names, icons, and trademarks used in this manual are the sole property of their respective owners.

---

## ***Important Safety Precautions***

Always read and follow these basic safety precautions carefully when handling any piece of electronic component.

1. Keep this User's Manual for future reference.
2. Keep this equipment away from humidity.
3. Lay this equipment on a reliable flat surface before setting it up.
4. The openings on the enclosure are for air convection hence protects the equipment from overheating.
5. All cautions and warnings on the equipment should be noted.
6. Never pour any liquid into the opening that could damage or cause electrical shock.
7. If any of the following situations arises, get the equipment checked by a service personnel:
  - ❑ Liquid has penetrated into the equipment
  - ❑ The equipment has been exposed to moisture
  - ❑ The equipment has not work well or you can not get it work according to User's Manual
  - ❑ The equipment has dropped and damaged
  - ❑ If the equipment has obvious sign of breakage
8. DO NOT LEAVE THIS EQUIPMENT IN AN ENVIRONMENT UNCONDITIONED, STORAGE TEMPERATURE ABOVE 60°C OR BELOW -20°C, IT MAY DAMAGE THE EQUIPMENT.

## ***Revision History***

Revision	History	Date
V 1.0	First Release	December 2003

---

# 1 Introduction

## >>> 1.1 MP11B2 (MS-6827) - Wireless 11b MiniPCI Card

**MP11B2 (MS-6827) Wireless 11b MiniPCI Card** (hereafter called MP11B2), compliant with IEEE802.11b, is a high-efficiency wireless adapter for wireless networking at home, in office or in public places. The data transfer rate can be auto-negotiated to 1, 2, 5.5Mbps or up to 11Mbps, and is compatible with any existing IEEE802.11b devices.

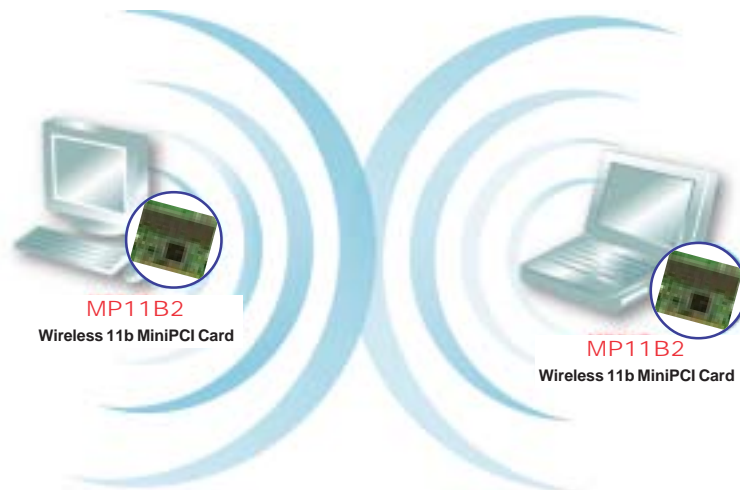
With MP11B2, you can roam between conference room and office without being disconnected the LAN cables; in addition, sharing files and printers can be easy tasks.

The MP11B2 is available to Microsoft Windows operating systems (Windows® XP/2000/ME/98SE) and can be integrated into networking with either **Ad-hoc mode** (computer-to-computer, without an Access Point) or **Infrastructure mode** (computer-to-access point, an Access Point is required).

## >>> 1.2 How MP11B2 Works

### Ad-hoc Mode

An Ad-hoc network is a local area network or other small network, especially one with wireless or temporary plug-in connections, in which some of the network devices are part of the network only for the duration of a communications session. Users in the network can share files, print to a shared printer, and access the Internet with a shared modem. In this kind of network, new devices can be quickly added; however, users can only communicate with other wireless LAN computers that are in this wireless LAN workgroup, and are within range.



**Infrastructure Mode**

The difference between Infrastructure network and Ad-hoc network is that the former one includes an Access Point. In an Infrastructure network, the Access Point can manage the bandwidth to maximize bandwidth utilization. Additionally, the Access Point enables users on a wireless LAN to access an existing wired network, allowing wireless users to take advantage of the wired networks resources, such as Internet, email, file transfer, and printer sharing. The scale and range of the Infrastructure network are larger and wider than that of the Ad-hoc networking.



## >>> 1.3 Specifications

### Hardware Specifications

#### Compliant Standards

- IEEE802.11b

#### Bus and Connector Types

- 32-bit 3.3V Type IIIA
- 124-pin Golden Finger

#### Security Mechanism

- Hardware-based WEP Privacy

#### Operational Environment

- Operational Temperature: 0~55°C
- Humidity: 10~90% (Non-Condensing)

#### Weight and Dimension

- Weight: 12g
- Dimension: 50.8 x 59.6 x 4.9mm

### Radio Frequency Specifications

#### Raw Data Rates and Modulation Types

- IEEE802.11b (Auto-Fallback)
  - CCK: 11 and 5.5Mbps
  - DQPSK: 2Mbps
  - DBPSK: 1Mbps

#### Communication Protocol

- DSSS (Direct Sequence Spread Spectrum) with ACK
- Half-Duplex

#### Access Method

- Infrastructure Mode: Station-To-LAN Architecture
- Ad-Hoc Mode: Station-To-Station Architecture

**Frequency, Bandwidth, and Channels**

- 2.4~2.4835GHz Frequency Band
- 11 Channels
- Maximum 3 Non-Overlapped Channels
- 25MHz Bandwidth Per Channel

**Transmitter Output Power**

- Output Power: 17±1dBm

**Wireless Coverage**

- Indoor: Up to 100m
- Outdoor: Up to 500m

**Receiving Sensitivity**

- ≤ -82dBm @ 11Mbps (DSSS/CCK)

 **Software Specifications**

**Security Mechanism**

- 64-/128-bit WEP Key
- LEAP/PEAP Support (for Windows XP only)

**Authentication Mechanism**

- Open Authentication (Default)
- Shared-Key Authentication

**Operating System**

- Microsoft® Windows® 98SE/ME/2000/XP



## >>> 1.4 System Requirements

Before installing the MP11B2, your PC should meet the following:



- Desktop/notebook PC with an available MiniPCI slot.



- Windows® 98SE/ME/2000/XP operating system.



- Minimum 5M bytes free disk space for installing the driver and utilities.



- CD-ROM drive, double speed or higher.

## >>> 1.5 Package Contents

Unpack the package and check all the items carefully. If any item contained is damaged or missing, please contact your local dealer as soon as possible. Also, keep the box and packing materials in case you need to ship the unit in the future. The package should contain the following items:



- One Wireless 11b MiniPCI Card **MP11B2**.



- One Quick Start Guide.



- One software CD containing drivers, utilities, User's Guide and Quick Start Guide.

>>> 1.6 Product View

**External antenna connectors (J1: Aux, J2: Main)**  
Connect to external antennas for enhanced data transmission and reception. The external antennas are well designed on the desktop or notebook computers.  
**NOTE:** Please connect the J2(Main) connector if there is only one antenna to connect.



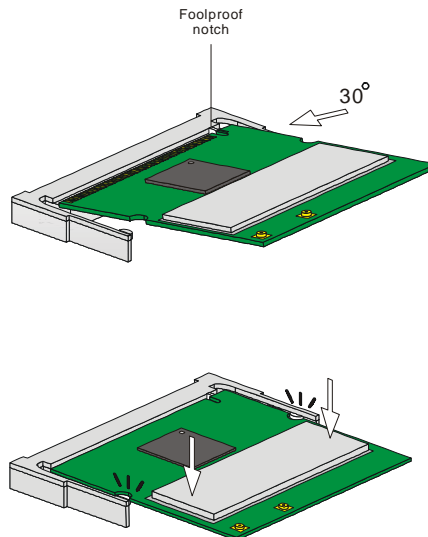
Golden Finger

## 2 Hardware Installation

The following diagrams provide you with the basic installation for the MP11B2, including how to install and remove the MiniPCI card. The instruction below is suitable for most computers with MiniPCI slot. For more information about the MiniPCI module, please refer to your computer's manual.

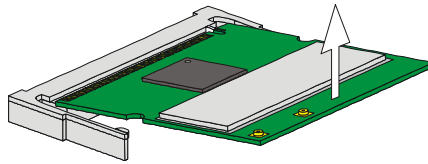
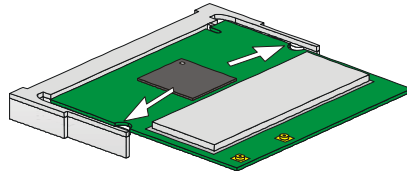
### >>> 2.1 Installing the MP11B2

1. Locate the Mini PCI slot on the mainboard.
2. Place the MP11B2 over the MiniPCI slot (at an angle of 30 degrees). Then, gently insert it into the slot until the golden finger of the card gets fully inserted.
3. Press down the card, and the retaining clips (on two sides of the slot) will lock onto the notches of the card.



## >>> 2.2 Removing the MP11B2

1. Locate the MiniPCI slot with MP11B2 installed.
2. Press the retaining clips outwards, and the card should bound upwards slightly after being released from the slot.
3. Remove the card from the MiniPCI slot carefully.



## 3 Software Installation

This chapter describes the procedures of installing the driver and utility. Follow the instruction step by step to finish the installation. If you use Windows® 98SE/ME, please prepare the Windows® Setup CD at hand before installing the driver; because the system will ask you to insert the Setup CD to copy files during the installation.

Please **NOTE** that the MP11B2 should be installed into your computer before installing the driver and utility. Then, the operating system will detect a new device and start to configure the new device. Click *Cancel* here to start installation from the InstallShield Wizard.

*Tip: The wireless LAN adapter should be installed into your PC before installing the driver and utility.*



Click

**Step 1.** Insert the software CD into your CD-ROM drive, and the Setup program should launch automatically.

If the Autorun program doesn't launch automatically, click **Start** at the taskbar and select **Run...** Type **E:\setup.exe** (where **E** is your CD-drive) in the Open box and click **OK** to launch the Setup program manually.

The main screen of Setup program will appear as below. Click the Install Software button.



**Step 3.** The welcome screen of InstallShield Wizard appears. Click *Next*.

Read and accept the License Agreement; then, click *Next*.

In the following window, enter the user's information (*User Name, Organization*) in the respective fields; then, click *Next*.

**Step 2.** Click *Install* and the program will copy the necessary files to the system. The progress indicator shows the installing status.

If you use Windows 98SE/ME, you may be asked to insert the Windows Setup CD during the installation. Please insert the Setup CD by the on-screen instruction to continue the installation.

**Step 4.** Click *Finish* when the installation is completed. The **MSI Wireless LAN icon\*** will appear in the status area.



*MSI Wireless LAN icon*