



# Installing a 3Com™ Managed Access Point (MAP)™

Cable Requirement .....	4
Suspended Ceiling Installation—Flush Ceiling Tiles .....	4
Suspended Ceiling Installation—Drop Ceiling Tiles .....	6
Junction Box Installation .....	9
Solid Wall or Ceiling Installation .....	10
Tabletop Installation .....	12
Configuring the MAP .....	13

This document provides basic hardware installation instructions for indoor MAP models.



---

ハードウェアの設置方法を日本語でご覧になりたい場合は、ドキュメントCDをご覧になるか、弊社ホームページをご利用下さい。

시스템 설치를 위한 한국어 설명서는 CD를 참조 하시기 바랍니다.

有关硬件安装说明, 请参考在附带文件 CD 光盘或公司网页的中文安装手册

有關硬件安裝說明, 請參考在附帶文件 CD 光盤或公司網頁的中文安裝手冊

(For hardware installation instructions in Japanese, Korean, or Chinese, see the documentation CD or the web site.)

---



**Warning!** Installation must be performed by qualified service personnel only. Read and follow all warning notices and instructions marked on the product or included in the documentation. Before installing the product, read the rest of this document.

---

**Waarschuwing!** De installatie mag alleen worden uitgevoerd door bevoegd onderhoudspersoneel. Het is essentieel dat u kennis neemt van alle waarschuwingen en instructies aangebracht op het product zelf en/of opgenomen in de documentatie. Voordat u het product installeert, dient u dit document in zijn geheel te hebben gelezen.

---

**Warnung!** Die Installation darf nur von qualifiziertem Servicepersonal vorgenommen werden. Lesen und befolgen Sie alle Warnhinweise und -anleitungen auf dem Produkt bzw. in der Dokumentation. Lesen Sie vor Installation des Produkts den restlichen Teil dieses Dokuments.

---

**Avertissement !** L'installation ne peut être effectuée que par un personnel qualifié. Lisez et suivez tous les messages d'avertissement et les instructions inscrits sur le produit ou inclus dans la documentation. Avant d'installer le produit, lisez le reste de ce document.

---

**Attenzione!** L'installazione deve essere effettuata unicamente da personale qualificato. Leggere e rispettare tutte le segnalazioni di attenzione e le istruzioni indicate sul prodotto o incluse nella documentazione. Prima d'installare il prodotto, leggere tutto il documento.

---

**¡Advertencia!** La instalación debe realizarse exclusivamente por parte de personal de servicio cualificado. Lea y siga todas las notas de advertencia e instrucciones en el producto o la documentación. Antes de instalar el producto deberá leer la parte restante del presente documento.

---

**¡Advertencia!** A instalação dever ser realizada exclusivamente por pessoal de serviço qualificado. Leia e siga todas as notas de advertência e instruções no produto ou na documentação. Antes de instalar o produto deverá ler a parte restante do presente documento.

---

**Varning!** Installation får endast utföras av kvalificerad servicepersonal. Läs och följ alla varningsmeddelanden och instruktioner markerade på produkten eller inkluderade i dokumenteringen. Innan produkten installeras skall resten av dessa dokument läsas.

---

**Advarsel!** Installation må kun gennemføres af faglært servicepersonale. Læs, og følg alle de advarselsmeddelelser og anvisninger, der er anført på produktet eller i dokumentationen. Læs resten af dette dokument før installation af produktet.

---

**Advarsel!** Installasjon skal kun utføres av kvalifisert service personell. Les og følg alle varsels meldinger og instruksjons merkinger på produktet og i veiledningen. Les resten av denne veiledningen før produktet installeres.

---

---

**Varoitus!** Installatie dient uitsluitend plaats te vinden door bevoegde monteurs. Lees alle waarschuwingen en instructies die op het product zijn aangegeven of in de documentatie zijn opgenomen, en volg deze op. Lees voordat u het product installeert eerst de rest van dit document.

---

**Viðvörðun!** Aðeins hæfir þjónustufulltrúar mega sinna uppsetningu tækjanna. Lesið og fylgið öllum viðvörðunum og leiðbeiningum í þessum gögnum. Lesið restina af þessum gögnum fyrir uppsetningu.

---

**Προσοχή!** Η εγκατάσταση πρέπει να εκτελείται μόνο από εγκεκριμένο προσωπικό συντήρησης. Διαβάστε και ακολουθείστε όλες τις προειδοποιήσεις και οδηγίες που αναγράφονται στο προϊόν ή που περιλαμβάνονται στην τεκμηρίωση. Πριν προβείτε στην εγκατάσταση του προϊόντος, διαβάστε το υπόλοιπο έγγραφο.

---

**경고!** 공인 서비스 기사만 설치 작업을 수행할 수 있습니다. 제품에 표시되어 있거나 설명서에 포함된 모든 경고 문구 및 지침을 읽어 보시고 준수하십시오. 제품을 설치하기 전에 본 설명서를 전체적으로 읽어 보시기 바랍니다.

---

**Warning!** 設置は、資格を持ったサービス要員のみが行えます。製品に付いているあるいはドキュメントに含まれている全ての警告注意を読み、それに従ってください。製品を設置する前に、本ドキュメントの残りをお読みください。

---

**警告!** 安装工作只能由合格服务人员进行。请阅读且遵照所有在产品上或者在文件内标记的警告通知、说明。在安装产品之前，请阅读这份文件的剩余部分。

---

**警告!** 安裝工作只能由合格服務人員進行。請閱讀且遵照所有在產品上或者在文件內標記的警告通知、說明。在安裝產品之前，請閱讀這份文件的剩餘部分。

---

**Внимание!** Монтаж должен производить только квалифицированный обслуживающий персонал. Прочтите и выполняйте все предупредительные примечания и инструкции, нанесенные на изделие или включенные в документацию. Перед монтажом изделия прочтите данный документ до конца.

---

تحذير! يجب أن يقوم بأعمال التركيب أفراد الصيانة المؤهلين دون غيرهم. اقرأ واتبع كافة الملاحظات والإرشادات التحذيرية الموضحة على المنتج أو المدرجة في الوثائق المصاحبة. اقرأ الأجزاء المتبقية من المستند قبل تركيب المنتج.

**אזהרה!** ההתקנה תתבצע על ידי טכנאי מוסמך בלבד. קרא ופעל בהתאם לכל האזהרות וההוראות המסומנות לפני התקנת המוצר, קרא מסמך זה במלואו. על המוצר או מופיעות בתיעוד.

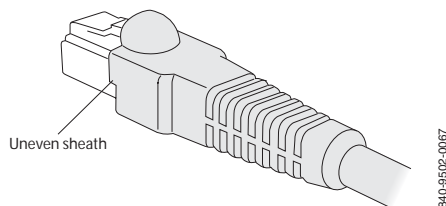
For more information about MAP installation as well as safety and installation requirements, see the following:

- *3Com Managed Access Point Installation Guide*
- *3Com Regulatory Information*

## Cable Requirement

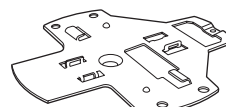
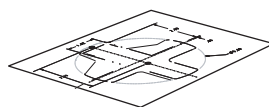
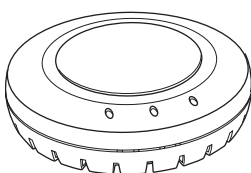
The Ethernet ports on a MAP cannot accept a Cat 5 cable that has an uneven sheath such as the one shown in Figure 1. The RJ-45 connector on the cable will not seat properly in the receptacle on the MAP. Use a Cat 5 cable with an even sheath instead.

**Figure 1. Do Not Use a Cat 5 Cable with an Uneven Sheath**



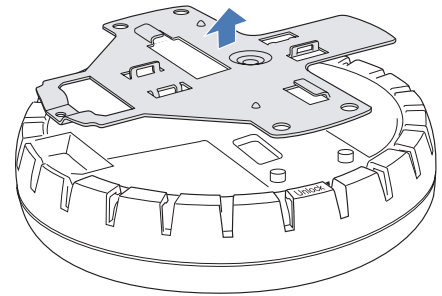
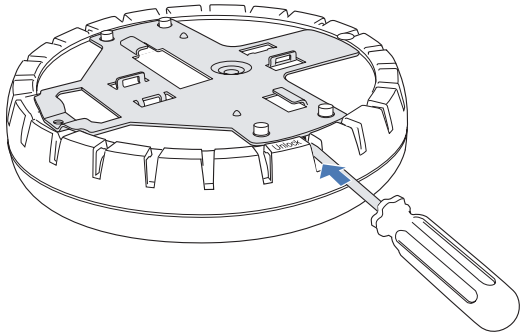
## Suspended Ceiling Installation—Flush Ceiling Tiles

This procedure applies to T-bars that are 23.9 mm (15/16 inches) wide. For a 14.2-mm (9/16-inch) or 15.9-mm (5/8-inch) T-bar, go to “Suspended Ceiling Installation—Drop Ceiling Tiles” on page 6.

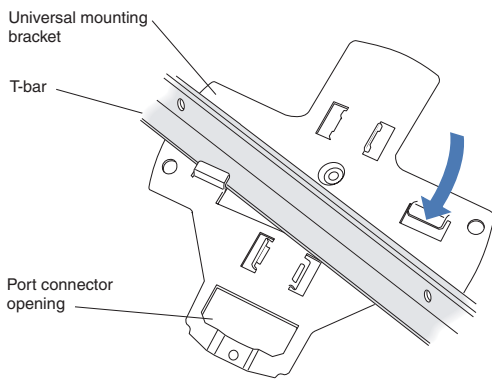


840-9502-0088

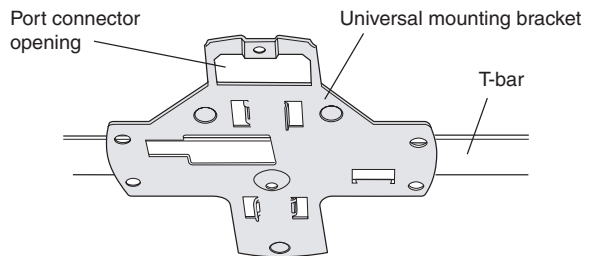
- 1 Use the mounting template to cut a hole for the Cat 5 cable.
- 2 Remove the mounting bracket from the MAP.



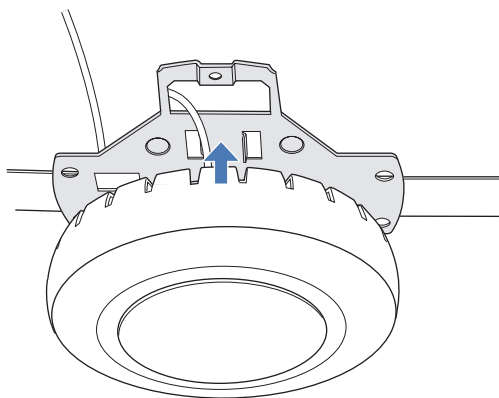
- 3 Attach the mounting bracket to the T-bar clamp.



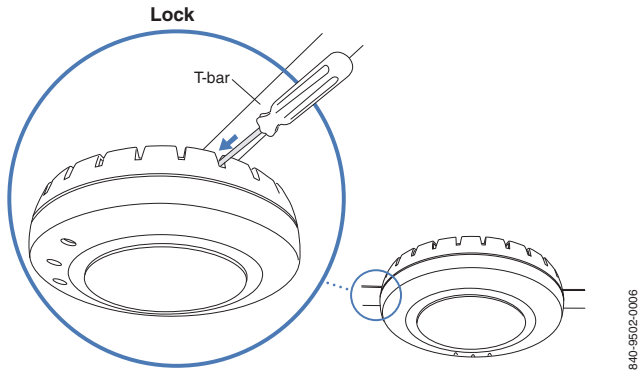
*(Viewed from above ceiling tiles, looking down.)*



- 4 Insert the Cat 5 cable through the port connector opening in the mounting bracket, then plug the cable into the MAP.



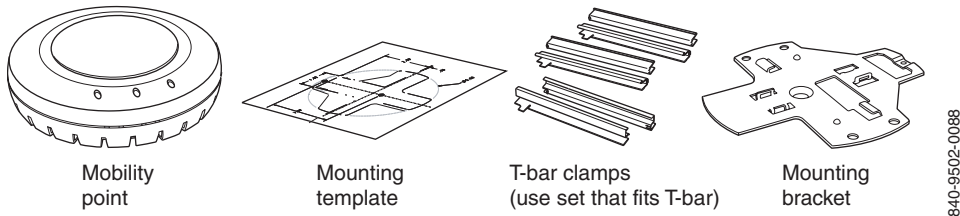
5 Attach the MAP to the mounting bracket.



**Caution!** If you plan to use an external antenna for the 802.11b/g or 802.11a radio, install the antenna at least 20 cm from the MAP. (For installation instructions, see *Installing an External Antenna for a 3Com Corporation Managed Access Point.*)

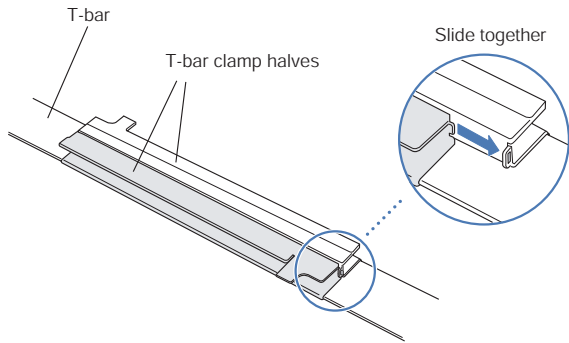
## Suspended Ceiling Installation—Drop Ceiling Tiles

This procedure applies to T-bars that are 23.9 mm (15/16 inches), 14.2-mm (9/16-inches), or 15.9-mm (5/8-inches) wide. You also can use this procedure for flush ceilings with 14.2-mm (9/16-inch) or 15.9-mm (5/8-inch) T-bars.

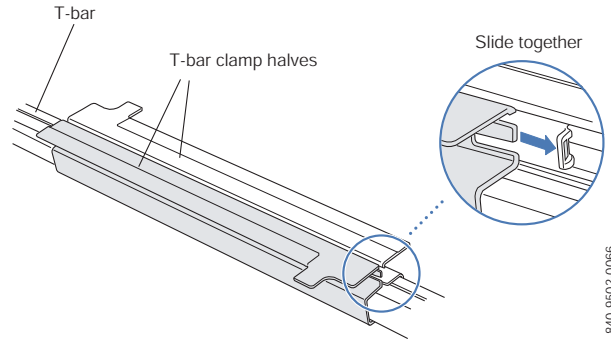


1 Use the mounting template to cut a hole for the Cat 5 cable.

**2 Install the T-bar clamp that fits the T-bar.**

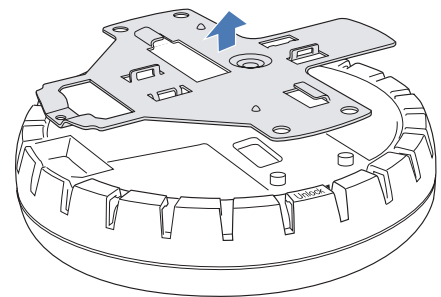
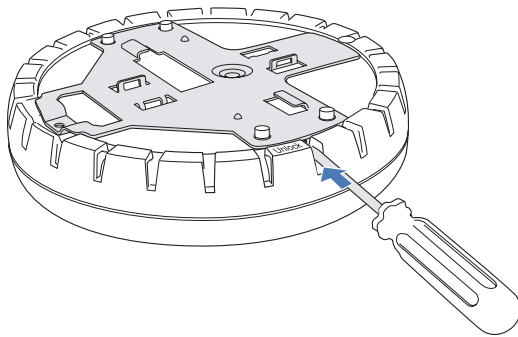


23.9-mm (15/16-inch) or 14.2-mm (9/16-inch) T-bar  
(The clamps are different widths but the assembly is the same.)

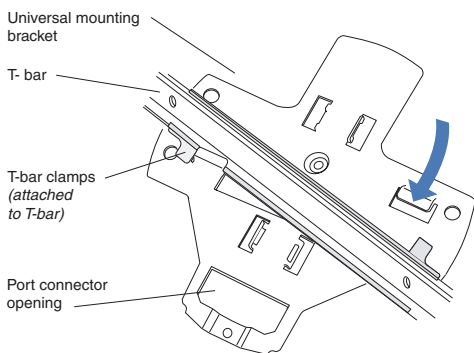


15.9-mm (5/8-inch) T-bar

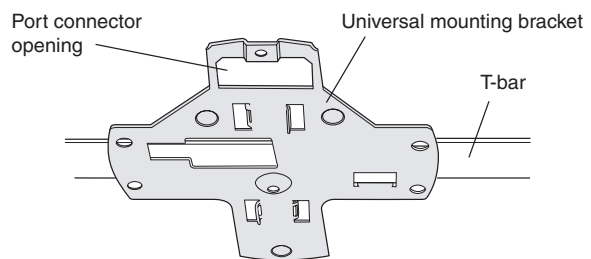
**3 Remove the mounting bracket from the MAP.**



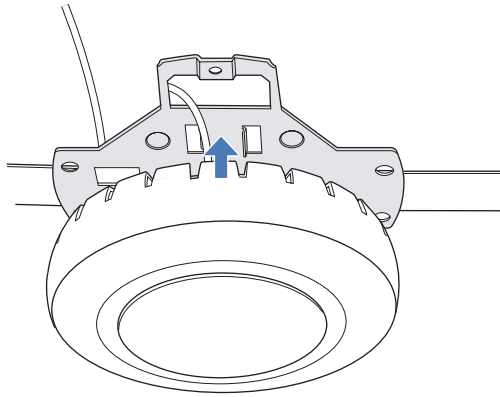
**4 Attach the mounting bracket to the T-bar clamp.**



*(Viewed from above ceiling tiles, looking down.)*

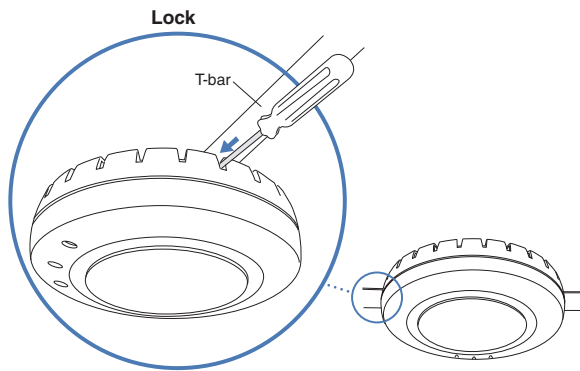


- 5 Insert the Cat 5 cable through the port connector opening in the mounting bracket, then plug the cable into the MAP.



840-9502-0002

- 6 Attach the MAP to the mounting bracket.



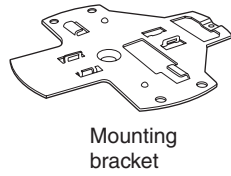
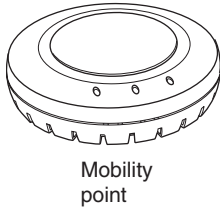
840-9502-0006



**Caution!** If you plan to use an external antenna for the 802.11b/g or 802.11a radio, install the antenna at least 20 cm from the MAP. (For installation instructions, see *Installing an External Antenna for a 3Com Corporation Managed Access Point.*)



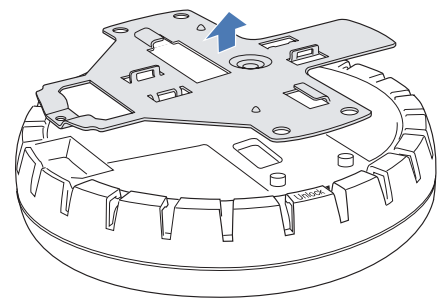
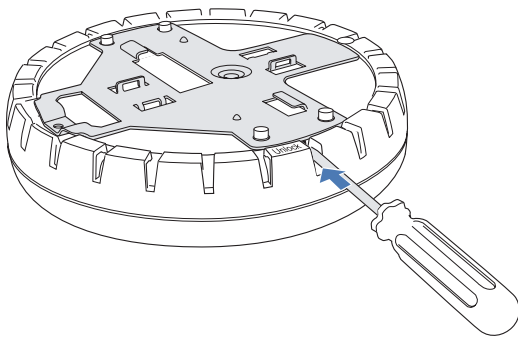
# Junction Box Installation



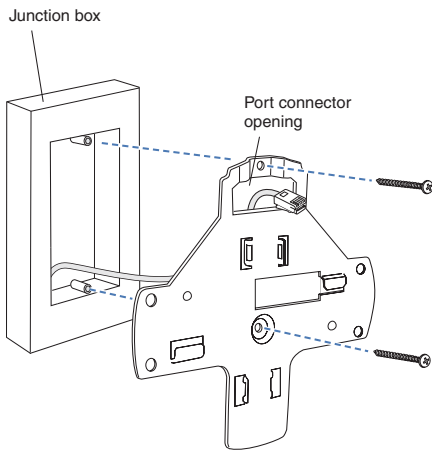
Mounting hardware

840-9502-0090

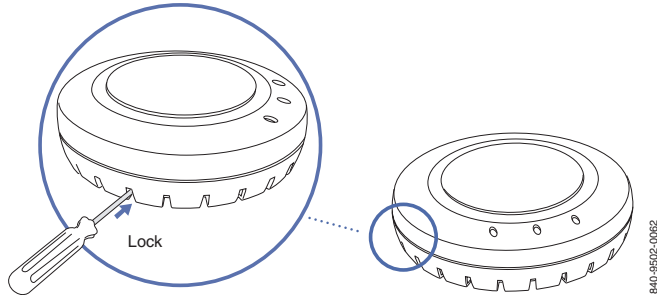
- 1 Remove the mounting bracket from the MAP.



- 2 Attach the bracket to the junction box.

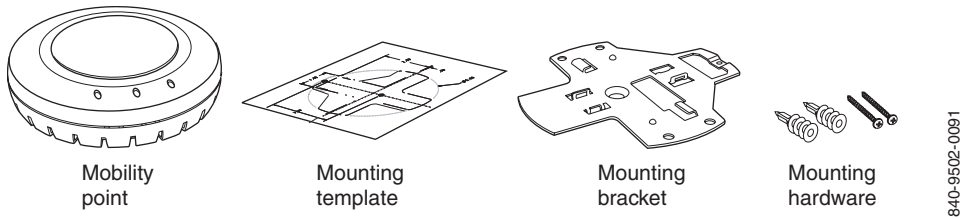


- 3 Plug the Cat 5 cable into the MAP and attach the MAP to the mounting bracket.

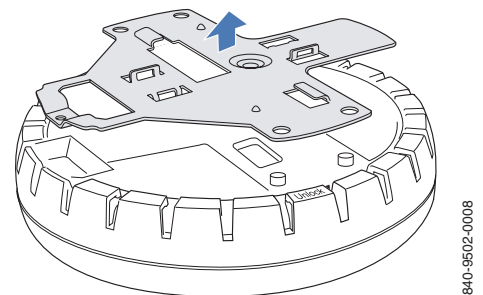
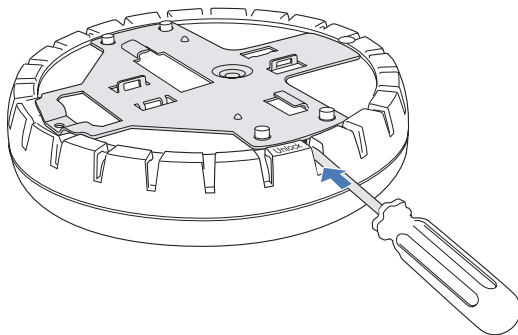


**Caution!** If you plan to use an external antenna for the 802.11b/g or 802.11a radio, install the antenna at least 20 cm from the MAP. (For installation instructions, see *Installing an External Antenna for a 3Com Corporation Managed Access Point.*)

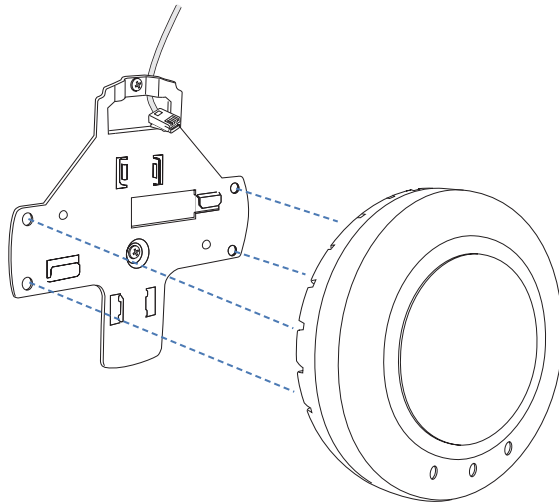
## Solid Wall or Ceiling Installation



- 1 Use the mounting template to cut a hole for the Cat 5 cable.
- 2 Remove the mounting bracket from the MAP.

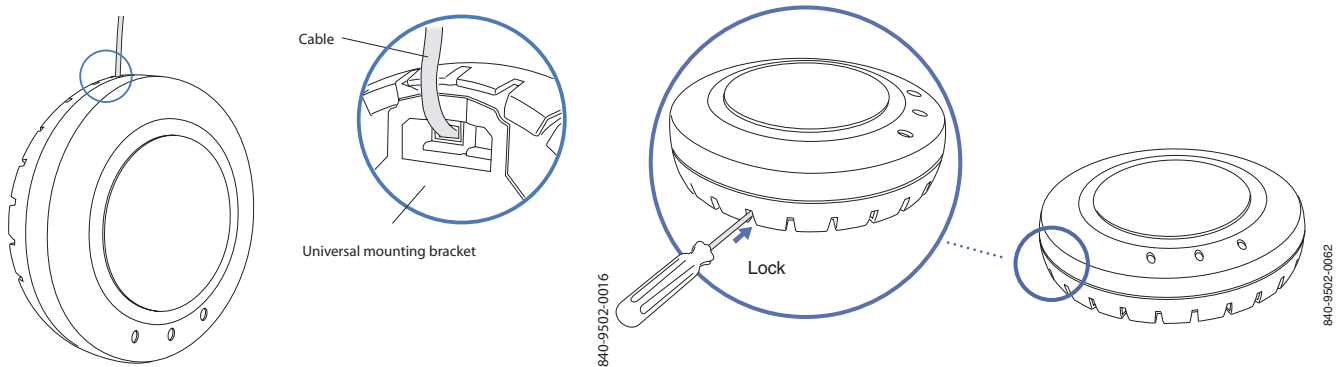


- 3 Attach the bracket to the wall or ceiling.



840-9502-0015

- 4 Plug the Cat 5 cable into the MAP and attach the MAP to the mounting bracket.



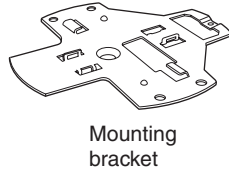
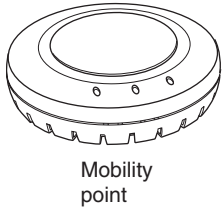
840-9502-0016

840-9502-0062



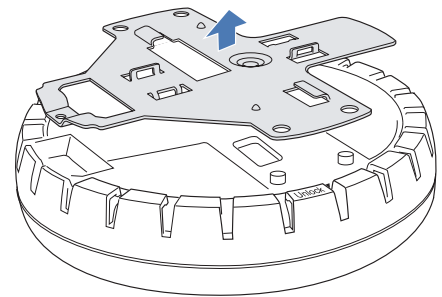
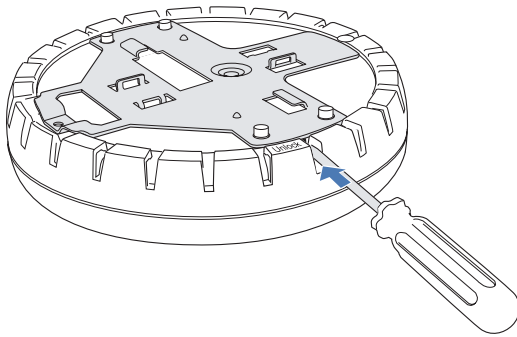
**Caution!** If you plan to use an external antenna for the 802.11b/g or 802.11a radio, install the antenna at least 20 cm from the MAP. (For installation instructions, see *Installing an External Antenna for a 3Com Corporation Managed Access Point.*)

# Tabletop Installation

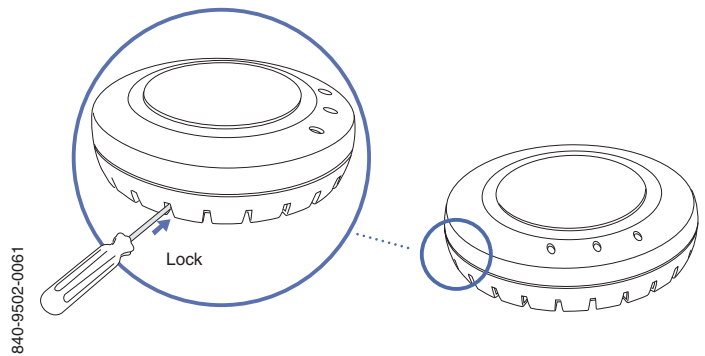
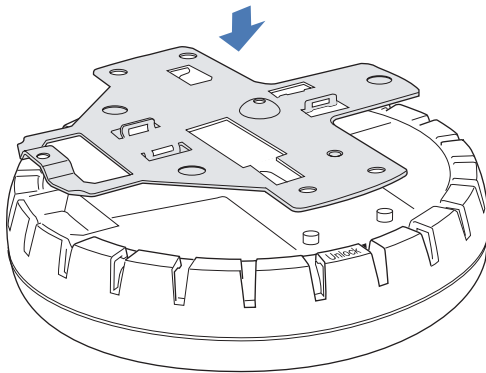


840-9502-0092

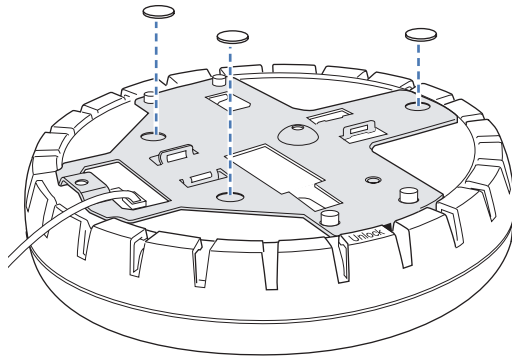
- 1 Remove the mounting bracket from the MAP.



- 2 Reverse the bracket and reattach it to the MAP.



- 3 Attach the rubber feet.



840-9502-0013

- 4 Turn the MAP over and place it on the table.



**Caution!** If you plan to use an external antenna for the 802.11b/g or 802.11a radio, install the antenna at least 20 cm from the MAP. (For installation instructions, see *Installing an External Antenna for a 3Com Corporation Managed Access Point.*)

## Configuring the MAP

To configure the channels, power settings, and other MAP parameters, see the following:

- [3Com Mobility System Software Quick Start Guide](#)
- “Configuring MAP Access Points” chapter in the [3Com Mobility System Software Configuration Guide](#)

**3Com Corporation**  
**350 Campus Drive**  
**Marlborough, MA USA 01752-3064**

Copyright © 2007, 3Com Corporation. All rights reserved. No part of this documentation may be reproduced in any form or by any means or used to make any derivative work (such as translation, transformation, or adaptation) without written permission from 3Com Corporation.

3Com Corporation reserves the right to revise this documentation and to make changes in content from time to time without obligation on the part of 3Com Corporation to provide notification of such revision or change.

3Com Corporation provides this documentation without warranty, term, or condition of any kind, either implied or expressed, including, but not limited to, the implied warranties, terms or conditions of merchantability, satisfactory quality, and fitness for a particular purpose. 3Com may make improvements or changes in the product(s) and/or the program(s) described in this documentation at any time.

If there is any software on removable media described in this documentation, it is furnished under a license agreement included with the product as a separate document, in the hard copy documentation, or on the removable media in a directory file named LICENSE.TXT or !LICENSE.TXT. If you are unable to locate a copy, please contact 3Com and a copy will be provided to you.

**UNITED STATES GOVERNMENT LEGEND**

*If you are a United States government agency, then this documentation and the software described herein are provided to you subject to the following:*

All technical data and computer software are commercial in nature and developed solely at private expense. Software is delivered as "Commercial Computer Software" as defined in DFARS 252.227-7014 (June 1995) or as a "commercial item" as defined in FAR 2.101(a) and as such is provided with only such rights as are provided in 3Com's standard commercial license for the Software. Technical data is provided with limited rights only as provided in DFAR 252.227-7015 (Nov 1995) or FAR 52.227-14 (June 1987), whichever is applicable. You agree not to remove or deface any portion of any legend provided on any licensed program or documentation contained in, or delivered to you in conjunction with, this User Guide.

Unless otherwise indicated, 3Com registered trademarks are registered in the United States and may or may not be registered in other countries.

3Com is a registered trademark of 3Com Corporation. The 3Com logo is a trademark of 3Com Corporation.

Mobility Domain, Mobility Point, Mobility Profile, Mobility System, Mobility System Software, MP, MSS, and SentrySweep are trademarks of Trapeze Networks, Inc.

Intel and Pentium are registered trademarks of Intel Corporation. Microsoft, MS-DOS, Windows, Windows XP, and Windows NT are registered trademarks of Microsoft Corporation.

All other company and product names may be trademarks of the respective companies with which they are associated.

**ENVIRONMENTAL STATEMENT**

It is the policy of 3Com Corporation to be environmentally-friendly in all operations. To uphold our policy, we are committed to:

Establishing environmental performance standards that comply with national legislation and regulations.

Conserving energy, materials and natural resources in all operations.

Reducing the waste generated by all operations. Ensuring that all waste conforms to recognized environmental standards. Maximizing the recyclable and reusable content of all products.

Ensuring that all products can be recycled, reused and disposed of safely.

Ensuring that all products are labelled according to recognized environmental standards.

Improving our environmental record on a continual basis.

**End of Life Statement**

3Com processes allow for the recovery, reclamation and safe disposal of all end-of-life electronic components.

**Regulated Materials Statement**

3Com products do not contain any hazardous or ozone-depleting material.

**Environmental Statement about the Documentation**

The documentation for this product is printed on paper that comes from sustainable, managed forests; it is fully biodegradable and recyclable, and is completely chlorine-free. The varnish is environmentally-friendly, and the inks are vegetable-based with a low heavy-metal content.



## Regulatory Information

The 3Com WLAN Managed AP3850, Model AP3850 (3CRWX385075A) must be installed and used in strict accordance with the manufacturer's instructions as described in the user documentation that comes with the product.

This product contains encryption. It is unlawful to export out of the U.S. without obtaining a U.S. Export License.

This product does not contain any user serviceable components. Any unauthorized product changes or modifications will invalidate 3Com's warranty and all applicable regulatory certifications and approvals.

This product must be installed by a professional technician/installer.

Only antennas specified for your region by 3Com can be used with this product. The use of external amplifiers or non-3Com antennas may invalidate regulatory certifications and approvals.

This product can be used with the following antennas and accessories:

Item	Description	Exclusions
-	Integrated antenna	None
3CWE591	3Com 6/8dBi Dual-Band Omni Antenna	Must be used with 3CWE586 and one of the following: 3CWE580, 3CWE581 or 3CWE582.
3CWE580	3Com Ultra Low Loss 6-Foot Antenna Cable	Must also use 3CWE586.
3CWE581	3Com Ultra Low Loss 20-Foot Antenna Cable	Must also use 3CWE586.
3CWE582	3Com Ultra Low Loss 50-Foot Antenna Cable	Must also use 3CWE586.
3CWE586	3Com RSMA to SMA 6-inch Antenna Cable	Required for all external antennas (not required for integrated antenna).

Suitable RF power levels for internal and external antennas are handled automatically by your 3Com Wireless Switch or Controller. Ensure that the switch or controller configuration is modified to use the antenna that is connected to the Access Point. Refer to the Mobility System Configuration Guide or to the 3Com Wireless LAN Switch Reference Manual to modify the access point settings.

### Caution: Exposure to Radio Frequency Radiation

This device generates and radiates radio-frequency energy. In order to comply with FCC radio-frequency exposure guidelines for an uncontrolled environment, this equipment must be installed and operated while maintaining a minimum body to antenna distance of 20 cm (approximately 8 in.).

The installer of this radio equipment must ensure that the antenna is located or pointed such that it does not emit RF field in excess of Health Canada limits for the general population; consult Safety Code 6, obtainable from Health Canada's website [www.hc-sc.gc.ca/rpb](http://www.hc-sc.gc.ca/rpb).

This equipment complies with IC radiation exposure limits set forth for an uncontrolled environment. End users must follow the specific operating instructions for satisfying RF exposure compliance. This equipment should be installed and operated with minimum distance 20cm between the radiator and your body.

This product must maintain a minimum body to antenna distance of 20 cm. Under these conditions this product will meet the Basic Restriction limits of 1999/519/EC [Council Recommendation of 12 July 1999 on the limitation of exposure of the general public to electromagnetic fields (0 Hz to 300 GHz)].

### **US – Radio Frequency Requirements**

This device must not be co-located or operated in conjunction with any other antenna or transmitter.

This device is for indoor use only when using channels 36, 40, 44 or 48 in the 5.15 to 5.25 GHz frequency range.

High power radars are allocated as primary users of the 5.25 to 5.35 GHz and 5.65 to 5.85 GHz bands. These radar stations can cause interference with and/or damage this device.

FCC NOTICE: To comply with FCC part 15 rules in the United States, the system must be professionally installed to ensure compliance with the Part 15 certification. It is the responsibility of the operator and professional installer to ensure that only certified systems are deployed in the United States. The use of the system in any other combination (such as co-located antennas transmitting the same information) is expressly forbidden in accordance with FCC rules CFR47 Part 15.204.



## **US Federal Communications Commission (FCC) EMC Compliance**

This equipment has been tested and found to comply with the limits for a Class B digital device, pursuant to Part 15 of the FCC Rules. These limits are designed to provide reasonable protection against harmful interference in a residential installation. This equipment generates, uses, and can radiate radio frequency energy and, if not installed and used in accordance with the instructions, may cause harmful interference to radio communications. However, there is no guarantee that interference will not occur in a particular installation. If this equipment does cause harmful interference to radio or television reception, which can be determined by turning the equipment off and on, the user is encouraged to try to correct the interference by one or more of the following measures:

- Reorient or relocate the receiving antenna.
- Increase the separation between the equipment and receiver.
- Connect the equipment into an outlet on a circuit different from that to which the receiver is connected.
- Consult the dealer or an experienced radio/TV technician for help.

The user may find the following booklet prepared by the Federal Communications Commission helpful:

The Interference Handbook

This booklet is available from the U.S. Government Printing Office, Washington, D.C. 20402. Stock No. 004-000-0034504.

3Com is not responsible for any radio or television interference caused by unauthorized modification of the devices included with this 3Com WLAN Managed AP3850, Model AP3850 (3CRWX385075A), or the substitution or attachment of connecting cables and equipment other than specified by 3Com.

The correction of interference caused by such unauthorized modification, substitution or attachment will be the responsibility of the user.

Changes or modifications not expressly approved by 3Com could void the user's authority to operate this equipment.

3Com Corporation  
350 Campus Drive  
Marlborough, MA 01752-3064, USA  
(508) 323-5000  
Date: June 21, 2007

Declares that the Product:

Brand Name: 3Com Corporation

Model Number: AP3850

Equipment Type: WLAN Managed AP3850

Complies with Part 15 of the FCC rules. Operation is subject to the following two conditions: (1) this device may not cause harmful interference, and (2) this device must accept any interference received, including interference that may cause undesired operation.



3Com WLAN Managed AP3950  
Model AP3850

### **Industry Canada – RF Compliance**

This device complies with RSS 210 of Industry Canada.

Operation is subject to the following two conditions: (1) this device may not cause interference, and (2) this device must accept any interference, including interference that may cause undesired operation of this device.

L' utilisation de ce dispositif est autorisée seulement aux conditions suivantes: (1) il ne doit pas produire de brouillage et (2) l' utilisateur du dispositif doit être prêt à accepter tout brouillage radioélectrique reçu, même si ce brouillage est susceptible de compromettre le fonctionnement du dispositif.

The term "IC" before the equipment certification number only signifies that the Industry Canada technical specifications were met.

To reduce potential radio interference to other users, the antenna type and its gain should be so chosen that the equivalent isotropically radiated power (EIRP) is not more than that required for successful communication. To prevent radio interference to the licensed service, this device is intended to be operated indoors and away from windows to provide maximum shielding. Equipment (or its transmit antenna) that is installed outdoors is subject to licensing.

Pour empêcher que cet appareil cause du brouillage au service faisant l'objet d'une licence, il doit être utilisé à l'intérieur et devrait être placé loin des fenêtres afin de fournir un écran de blindage maximal. Si le matériel (ou son antenne d'émission) est installé à l'extérieur, il doit faire l'objet d'une licence.

High power radars are allocated as primary users of the 5.25 to 5.35 GHz and 5.65 to 5.85 GHz bands. These radar stations can cause interference with and/or damage this device.

This device must not be co-located or operated in conjunction with any other antenna or transmitter.

The band 5150-5250 MHz is only for indoor usage to reduce the potential for harmful interference to co-channel mobile satellite systems.

This device has been designed to operate with the antennas listed at the start of the Regulatory Information section above, and having a maximum gain of 6 dB (2.4GHz) or 8dB (5GHz). Antennas not included in this list or having a gain greater than 6 dB (2.4GHz) or 8dB (5GHz) are strictly prohibited for use with this device. The required antenna impedance is 50 ohms.

### **Industry Canada – Emissions Compliance Statement**

This Class B digital apparatus complies with Canadian ICES-003.

### **Avis de Conformité à la Réglementation d’Industrie Canada**

Cet appareil numérique de la classe B est conform à la norme NMB-003 du Canada.

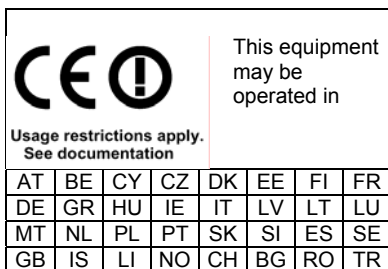
### **Safety Compliance Notice**

This device has been tested and certified according to the following safety standards and is intended for use only in Information Technology Equipment which has been tested to these or other equivalent standards:

- UL 60950-1
- CSA 60950-1
- IEC 60950-1
- EN 60950-1

### **EU Compliance**

EU Representative:  
3Com Europe Limited  
Peoplebuilding 2, Peoplebuilding Estate  
Maylands Avenue  
Hemel Hempstead, Hertfordshire  
HP2 4NW  
United Kingdom



Intended use: IEEE 802.11a/b/g radio LAN device

NOTE: To ensure product operation is in compliance with local regulations, select the country in which the product is installed

Česky [Czech]	3Com Coporation tímto prohlašuje, že tento <i>RLAN device</i> je ve shodě se základními požadavky a dalšími příslušnými ustanoveními směrnice 1999/5/ES.
Dansk [Danish]	Undertegnede 3Com Corporation erklærer herved, at følgende udstyr <i>RLAN device</i> overholder de væsentlige krav og øvrige relevante krav i direktiv 1999/5/EF.
Deutsch [German]	Hiermit erkläre 3Com Corporation, dass sich das Gerät <i>RLAN device</i> in Übereinstimmung mit den grundlegenden Anforderungen und den übrigen einschlägigen Bestimmungen der Richtlinie 1999/5/EG befindet.
Eesti [Estonian]	Käesolevaga kinnitab 3Com Corporation seadme <i>RLAN device</i> vastavust direktiivi 1999/5/EÜ põhinõuetele ja nimetatud direktiivist tulenevatele teistele asjakohastele sätetele.
English	Hereby, 3Com Corporation, declares that this <i>RLAN device</i> is in compliance with the essential requirements and other relevant provisions of Directive 1999/5/EC.
Español [Spanish]	Por medio de la presente 3Com Corporation declara que el <i>RLAN device</i> cumple con los requisitos esenciales y cualesquiera otras disposiciones aplicables o exigibles de la Directiva 1999/5/CE.
Ελληνική [Greek]	ΜΕ ΤΗΝ ΠΑΡΟΥΣΑ 3Com Corporation ΔΗΛΩΝΕΙ ΟΤΙ <i>RLAN device</i> ΣΥΜΜΟΡΦΩΝΕΤΑΙ ΠΡΟΣ ΤΙΣ ΟΥΣΙΩΔΕΙΣ ΑΠΑΙΤΗΣΕΙΣ ΚΑΙ ΤΙΣ ΛΟΙΠΕΣ ΣΧΕΤΙΚΕΣ ΔΙΑΤΑΞΕΙΣ ΤΗΣ ΟΔΗΓΙΑΣ 1999/5/ΕΚ.
Français [French]	Par la présente 3Com Corporation déclare que l'appareil <i>RLAN device</i> est conforme aux exigences essentielles et aux autres dispositions pertinentes de la directive 1999/5/CE.
Italiano [Italian]	Con la presente 3Com Corporation dichiara che questo <i>RLAN device</i> è conforme ai requisiti essenziali ed alle altre disposizioni pertinenti stabilite dalla direttiva 1999/5/CE.
Latviski [Latvian]	Ar šo 3Com Corporation deklarē, ka <i>RLAN device</i> atbilst Direktīvas 1999/5/EK būtiskajām prasībām un citiem ar to saistītajiem noteikumiem.
Lietuvių [Lithuanian]	Šiuo 3Com Corporation deklaruoja, kad šis <i>RLAN device</i> atitinka esminius reikalavimus ir kitas 1999/5/EB Direktyvos nuostatas.
Nederlands [Dutch]	Hierbij verklaart 3Com Corporation dat het toestel <i>RLAN device</i> in overeenstemming is met de essentiële eisen en de andere relevante bepalingen van richtlijn 1999/5/EG.
Malti [Maltese]	Hawnhekk, 3Com Corporation, jiddikjara li dan <i>RLAN device</i> jikkonforma mal-htigijiet essenzjali u ma provvedimenti oħrajn rilevanti li hemm fid-Dirrettiva 1999/5/EC.
Magyar [Hungarian]	Alulírott, 3Com Corporation nyilatkozom, hogy a <i>RLAN device</i> megfelel a vonatkozó alapvető követelményeknek és az 1999/5/EC irányelv egyéb előírásainak.
Polski [Polish]	Niniejszym 3Com Corporation oświadcza, że <i>RLAN device</i> jest zgodny z zasadniczymi wymogami oraz pozostałymi stosownymi postanowieniami Dyrektywy 1999/5/EC.
Português [Portuguese]	3Com Corporation declara que este <i>RLAN device</i> está conforme com os requisitos essenciais e outras disposições da Directiva 1999/5/CE.
Slovensko [Slovenian]	3Com Corporation izjavlja, da je ta <i>RLAN device</i> v skladu z bistvenimi zahtevami in ostalimi relevantnimi določili direktive 1999/5/ES.
Slovensky [Slovak]	3Com Corporation týmto vyhlasuje, že <i>RLAN device</i> spĺňa základné požiadavky a všetky príslušné ustanovenia Smernice 1999/5/ES.
Suomi [Finnish]	3Com Corporation vakuuttaa täten että <i>RLAN device</i> tyypinen laite on direktiivin 1999/5/EY oleellisten vaatimusten ja sitä koskevien direktiivin muiden ehtojen mukainen.
Svenska [Swedish]	Härmed intygar 3Com Corporation att denna <i>RLAN device</i> står i överensstämmelse med de väsentliga egenskapskrav och övriga relevanta bestämmelser som framgår av direktiv 1999/5/EG.
Íslenska [Icelandic]	Hér með lýsir 3Com Corporation yfir því að <i>RLAN device</i> er í samræmi við grunnkröfur og aðrar kröfur, sem gerðar eru í tilskipun 1999/5/EC.
Norsk [Norwegian]	3Com Corporation erklærer herved at utstyret <i>RLAN device</i> er i samsvar med de grunnleggende krav og øvrige relevante krav i direktiv 1999/5/EF.

A copy of the signed Declaration of Conformity can be downloaded from the Product Support web page for the 3Com Managed AP3850, Model AP3850 (3CRWX385075A) at <http://www.3com.com>.

Also available at [http://support.3com.com/doc/AP3850\\_EU\\_DOC.pdf](http://support.3com.com/doc/AP3850_EU_DOC.pdf)

## EU – Restrictions for Use in the 2.4GHz band

This device may be operated indoors or outdoors in all countries of the European Community using the 2.4GHz band: Channels 1 – 13, except where noted below.

- In Italy the end-user must apply for a license from the national spectrum authority to operate this device outdoors.
- In Belgium outdoor operation is only permitted using the 2.46 – 2.4835 GHz band: Channel 13.
- In France outdoor operation is only permitted using the 2.4 – 2.454 GHz band: Channels 1 – 7.

## EU – Restrictions for Use in the 5GHz band

Allowed Frequency Bands	Allowed Channel Numbers	Countries
5.15-5.35 & 5.470-5.725GHz	36, 40, 44, 48, 52, 56, 60, 64, 100, 104, 108, 112, 116, 120, 124, 128, 132, 136, 140	Austria, Belgium, Bulgaria, Cyprus, Czech Republic, Denmark, Estonia, Finland, France, Germany, Greece, Hungary, Iceland, Ireland, Italy, Latvia, Liechtenstein, Lithuania, Luxembourg, Malta, Netherlands, Norway, Poland, Portugal, Romania, Slovakia, Slovenia, Spain, Sweden, Switzerland, U.K.

- This device may be not be operated outdoors when using the bands 5150-5350MHz (Channels 36, 40, 44, 48, 52, 56, 50, 64).
- In Italy the end-user must apply for a license from the national spectrum authority to operate this device outdoors.
- To remain in conformance with European spectrum usage laws for Wireless LAN operation, the above 5GHz channel limitations apply. The user should check the current channel of operation. If operation is occurring outside of the allowable frequencies as listed above, the user must cease operating the Access Point at that location and consult the local technical support staff responsible for the wireless network.
- The 5 GHz Turbo mode feature is not allowed for operation in any European Community country.
- This device must be used with the radar detection feature required for European Community operation in the 5GHz bands. This device will avoid operating on a channel occupied by any radar system in the area. The presence of nearby radar operation may result in temporary interruption in communications of this device. The Access Point's radar detection feature will automatically restart operation on a channel free of radar. You may consult with the local technical support staff responsible for the wireless network to ensure the Access Point device(s) are properly configured for European Community operation.