



**Captivate Network
Elevator Company Scope of Work
5 Elevators**

1. **All work to be completed during normal business hours.** Written quotes are required and should be sent to the attention of the Project Supervisor performing the site survey. **Quotes should be submitted in a timely fashion, 3-5 business days is requested.** Once Captivate Network accepts the quote, a written purchase order will be created and sent to the appropriate person and address noted on the quote. All billing and invoices must reference the purchase order number and sent to Captivate at the following location. The invoice must be an original. Copies and faxed documents **Will Not** be accepted and will delay payment. All work should be performed during normal working hours.

**Attn: Accounts Payable
Captivate Network
2 Executive Drive, Suite 301
Chelmsford, MA 01824**

2. Apply for permits. **A copy of the permit must be sent to Captivate.** All work should be done in compliance with the ASME 17 Code for Elevators and Escalators and the National Electrical Code (NEC) where applicable. Also observe any local codes that may differentiate from the above codes. This is the responsibility of the elevator contractor.
3. Install the display system in the elevator cabs. The estimated time is 2 hours to mount the display and antenna assembly.

Elevator Power Electrical Specifications

Input voltage 100 – 120 volts AC

Frequency 60 Hz

Input current (maximum) 1 amp

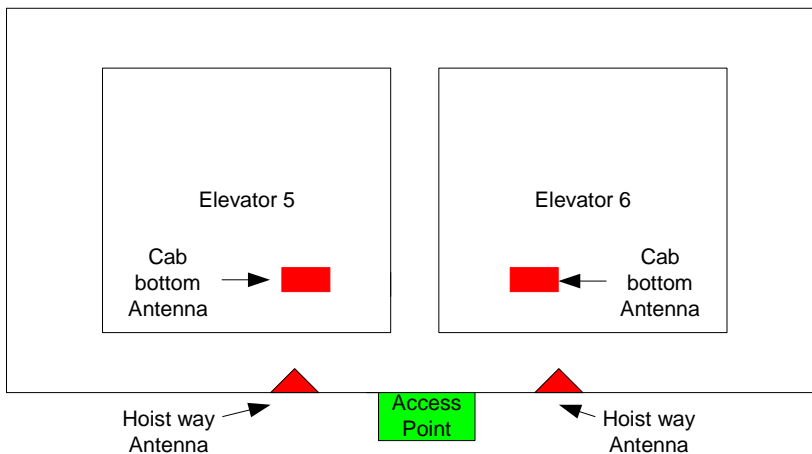
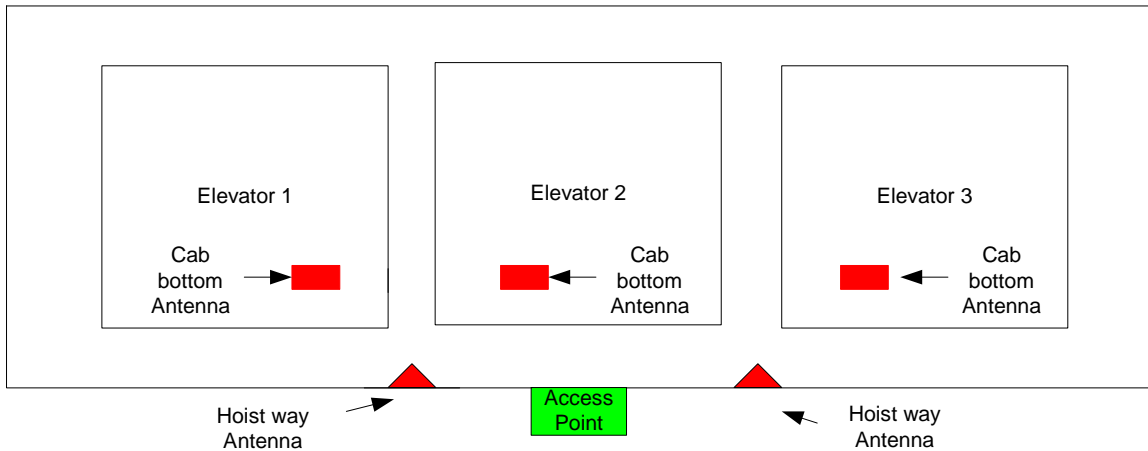
Typical input current 0.30 amps @ 110 volts AC

Maximum Power 50 watts

Maximum Heat Load 170.645 BTU/Hr.

4. Locate cab-top-power for the display system. The power cord from the display is 14 AWG and typical load is 0.36 amps @ 110 VAC or 40 watts. Use conduit wherever required by code.

5. Locate the position of the antenna assembly. The location will be on the bottom of the cabs. The antenna cable has a very low voltage (approximately 50 millivolts max.). Use conduit if required by code.



6. Each hoist way will require the attachment and wiring of 2 antennas to the wall in the pit. The estimated time to perform the pit work is 2 hours. The location will be close to the holes that were drilled into the hoist way from the electrical boxes for the Access Points. (**Note: Access Points require 2 antennas regardless of the number of elevator cars serviced in the hoistway.**) The Antennas are typically mounted with line of site to the cab bottom and either side of the center cab in the hoist way. For the two cab hoist way they will be set up with 1 over the center of

each cab. This is approximate and may require some variations during the installation. After the antennas are mounted, the coaxial cables will need to be connected to the antennas and passed through the 1 ½ -inch drilled hole to the Access Points. The antenna cable has a very low voltage (approximately 50 millivolts max.). **Use minimum of 1-inch conduit for the antenna if required by the local code.**

7. Project start date will be coordinated by the Captivate Installation Coordinator. Questions regarding scope prior to the installation start date should be addressed to:

- Patti Rossetti – (978) 845-5081 – prossetti@captivate.com

8. Onsite activities and escalations should be coordinated with the Captivate Project Supervisor onsite. If the Project Supervisor is not available, issues can be escalated to the Installation Coordinator, or the Field Operations Manager:

- Patti Rossetti – (978) 845-5081 – prossetti@captivate.com

- Mark Dodge – (978) 845-5039 – mdodge@captivate.com

Canada Compliance Information

This device complies with Industry Canada License-exempt RSS Standards. Operation is subject the following two conditions: (1) this device may not cause interference, and (2) this device must accept any interference, including interference that may cause undesired operation of the device.

This device has been designed to operate with the antennas listed below, and having a maximum gain of 2 dB. Antenna not included in this list or having a gain greater than 2 dB are strictly prohibited for use with this device. The required antenna impedance is 50 ohms.

Nearson Antenna – S131AM-2450R

To reduce potential radio interference to other users, the antenna type and its gain should be so chosen that the equivalent isotropically radiated power (e.i.r.p.) is not more than permitted for successful communication.

FCC Compliance Information

NOTE: This equipment has been tested and found to comply with the limits for a Class A digital device, pursuant to Part 15 of the FCC Rules. These limits are designed to provide reasonable protection against harmful interference when the equipment is operated in a commercial environment. This equipment generates, uses and can radiate radio frequency energy and, if not installed and used in accordance with the instructions, may cause harmful interference to radio communications. Operation of this equipment in a residential area is likely to cause harmful interference in which case the user will be required to correct the interference at his own expense.

Changes or modifications not expressly approved by Captivate Network could void the user's authority to operate the equipment.

FCC Radiation Exposure Statement:

This equipment complies with FCC radiation exposure limits set forth for an uncontrolled environment.

To satisfy RF exposure compliance antennas must be installed to provide a minimum 20 cm separation distance from the transmitting antenna to the body of the user during normal operating conditions. This device must not be co-located or operating in conjunction with any other antenna or transmitter

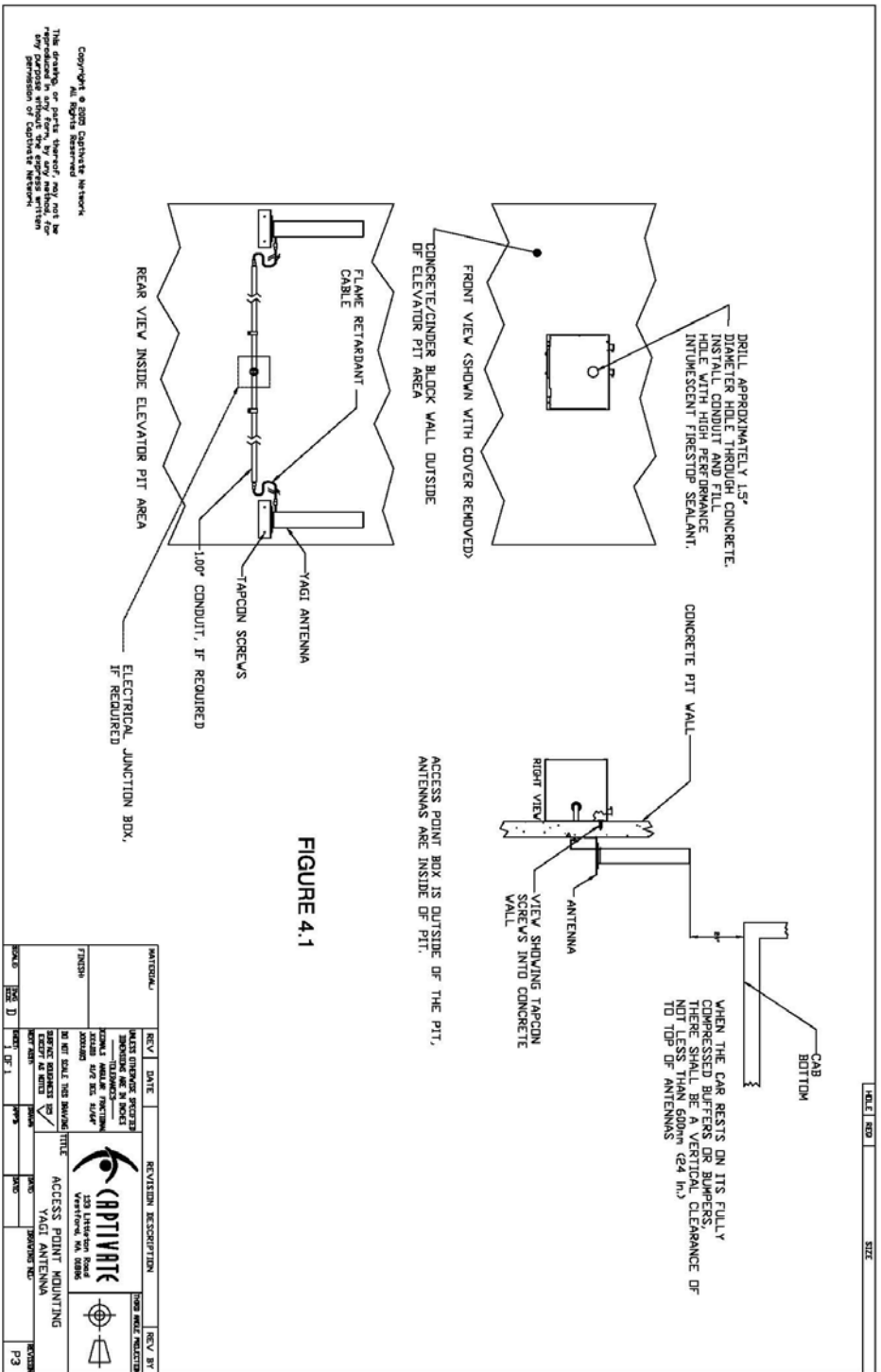


FIGURE 4.1

REV	DATE	REVISION DESCRIPTION	REV BY
1		INSTALL YAGI ANTENNA	
2		INSTALL CONDUIT AND FIRESTOP SEALANT	
3		INSTALL JUNCTION BOX	
4		INSTALL FLAME RETARDANT	
5		INSTALL TAPCON SCREWS	
6		INSTALL CONDUIT	
7		INSTALL FIRESTOP SEALANT	
8		INSTALL YAGI ANTENNA	
9		INSTALL CONDUIT	
10		INSTALL FIRESTOP SEALANT	
11		INSTALL YAGI ANTENNA	
12		INSTALL CONDUIT	
13		INSTALL FIRESTOP SEALANT	
14		INSTALL YAGI ANTENNA	
15		INSTALL CONDUIT	
16		INSTALL FIRESTOP SEALANT	
17		INSTALL YAGI ANTENNA	
18		INSTALL CONDUIT	
19		INSTALL FIRESTOP SEALANT	
20		INSTALL YAGI ANTENNA	
21		INSTALL CONDUIT	
22		INSTALL FIRESTOP SEALANT	
23		INSTALL YAGI ANTENNA	
24		INSTALL CONDUIT	
25		INSTALL FIRESTOP SEALANT	
26		INSTALL YAGI ANTENNA	
27		INSTALL CONDUIT	
28		INSTALL FIRESTOP SEALANT	
29		INSTALL YAGI ANTENNA	
30		INSTALL CONDUIT	
31		INSTALL FIRESTOP SEALANT	
32		INSTALL YAGI ANTENNA	
33		INSTALL CONDUIT	
34		INSTALL FIRESTOP SEALANT	
35		INSTALL YAGI ANTENNA	
36		INSTALL CONDUIT	
37		INSTALL FIRESTOP SEALANT	
38		INSTALL YAGI ANTENNA	
39		INSTALL CONDUIT	
40		INSTALL FIRESTOP SEALANT	
41		INSTALL YAGI ANTENNA	
42		INSTALL CONDUIT	
43		INSTALL FIRESTOP SEALANT	
44		INSTALL YAGI ANTENNA	
45		INSTALL CONDUIT	
46		INSTALL FIRESTOP SEALANT	
47		INSTALL YAGI ANTENNA	
48		INSTALL CONDUIT	
49		INSTALL FIRESTOP SEALANT	
50		INSTALL YAGI ANTENNA	

Copyright © 2008 Captivate Network
 All Rights Reserved
 This drawing or parts thereof may not be
 reproduced, stored in a retrieval system,
 or transmitted in any form or by any means
 without the express written
 permission of Captivate Network.

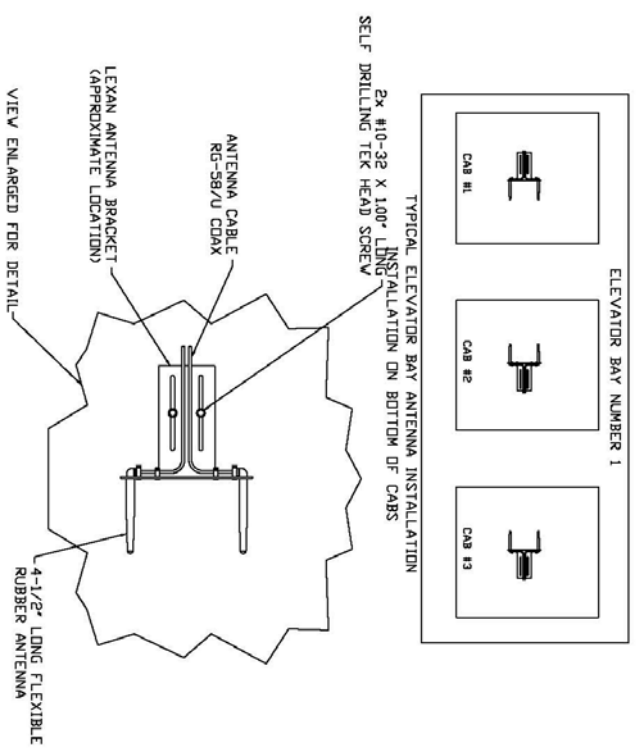


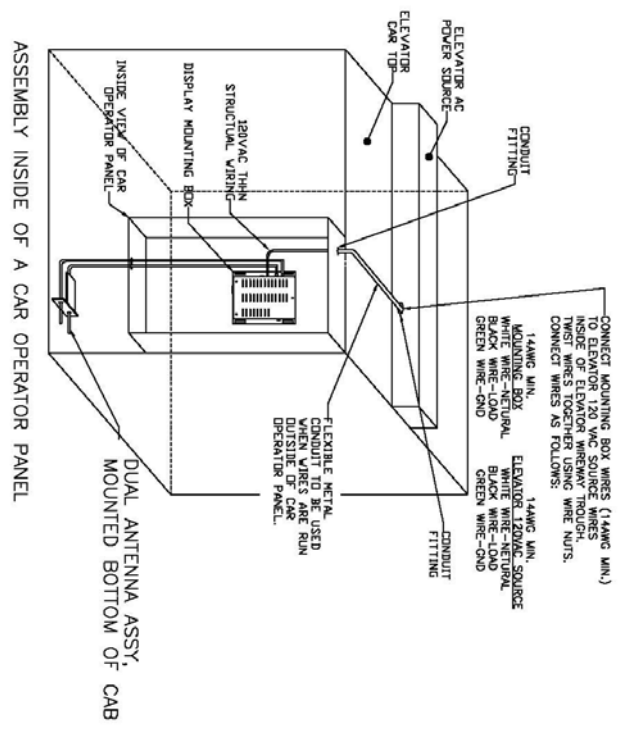
Figure 5.1.3-1

Copyright © 2000 Captivate Network
 All Rights Reserved
 This drawing or parts thereof may not be
 reproduced or transmitted in any form
 or by any means without the express written
 permission of Captivate Network.

REV	DATE	DESCRIPTION	REV BY
1		INSTALLATION OF ANTENNA	
2		REVISIONS TO ANTENNA	
3		REVISIONS TO ANTENNA	
4		REVISIONS TO ANTENNA	
5		REVISIONS TO ANTENNA	
6		REVISIONS TO ANTENNA	
7		REVISIONS TO ANTENNA	
8		REVISIONS TO ANTENNA	
9		REVISIONS TO ANTENNA	
10		REVISIONS TO ANTENNA	




 123 LEXINGTON ROAD
 WASHINGTON, DC 20004
 (202) 555-1234
 WWW.CAPTIVATE.COM

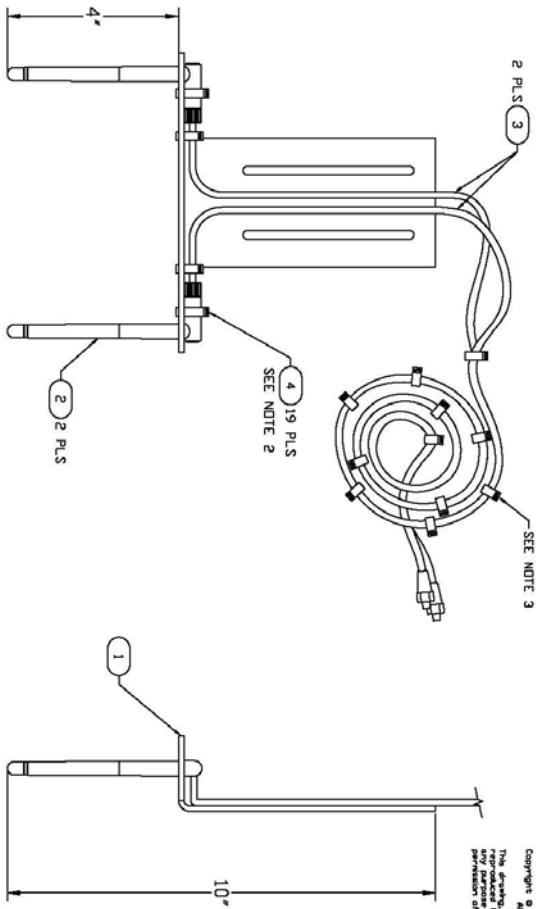


ASSEMBLY INSIDE OF A CAR OPERATOR PANEL
Figure 5.1

- NOTES:
1. ALL ELECTRICAL WORK SHALL BE DONE BY LICENSED ELEVATOR MECHANICS.
 2. THE ELEVATOR DISPLAY UNIT RECEIVES 120V AC POWER FROM THE CAR TOP LIGHTING AND DISCREET WIRING WITHIN THE TRAVEL CABLE, WHICH IS MOUNTED ON THE SIDE OF THE MAIN CABLE SUPPORT STRUCTURE. ALL WIRING CONNECTIONS SHALL BE PERFORMED WITHIN THE ELEVATOR WIRING TROUGH.

MATERIAL	REV	DATE	REVISION DESCRIPTION	REV BY
FRUSH	1	07/11	 BE NOT SOLD THE ABOVE UNIT. DVC HAS INSTALL ANT. ON BOTTOM	P3
FIRST ENGINEER REVIEW SECONDARY REVIEW THIRDARY REVIEW FOURTHARY REVIEW FIFTHARY REVIEW SIXTHARY REVIEW SEVENTHARY REVIEW EIGHTHARY REVIEW NINTHARY REVIEW TENTHARY REVIEW				

Copyright © 2008 Captivate Network
This drawing is a registered trademark and may not be reproduced in any form, by any method for any purpose without the express written permission of Captivate Network.



Copyright © 2003 Capistrano Network, Inc.
 All Rights Reserved.
 This drawing is for the use of the customer only. It is not to be reproduced or distributed in any form without the express written permission of Capistrano Network, Inc.

SEE PARTS LIST PL15-9003-000

REV	DATE	DESCRIPTION	BY	CHK
04	12/17/01	CORRECTED P/N PER ECOM # 20012004	RWB	
03	12/07/01	CHANGED ANTENNA PER ECOM 20012003	RWB	
02	05/10/00	REVISE PARTS LIST PER ECOM 20012006	RAN	
01	12/20/00	REVISE DRAWING PER ECOM 20012004	RAN	
00	10/30/00	RELEASE DRAWING PER ECOM 20010019	RAN	

FINISH ASSEMBLY MATERIALS PARTS LIST DRAWING NO.	15-9003-000 1 OF 1
CAPSTRANO NETWORK 123 LITTLETON ROAD LITTLETON, CO 80120	ASSY, DUAL ANTENNA DVC MOUNTING BOX
DATE: 02/27/02 BY:	15-9003-000 04

- NOTES:
1. ASSEMBLE USING BEST COMMERCIAL PRACTICES.
 2. TIGHTEN ANTENNAS (F/N 2) TO CABLES (F/N 3), FASTEN ANTENNA TO BRACKET (F/N 1) USING 4 CABLE-TYS (F/N 4).
 3. HOLD CABLES TOGETHER BY USING 15 CABLE-TYS (F/N 4) EQUALLY SPACED, LEAVING 1 FT FREE AT END OF CABLES.

Copyright © 2003 Capistrano Network, Inc.
 All Rights Reserved.
 This drawing is for the use of the customer only. It is not to be reproduced or distributed in any form without the express written permission of Capistrano Network, Inc.

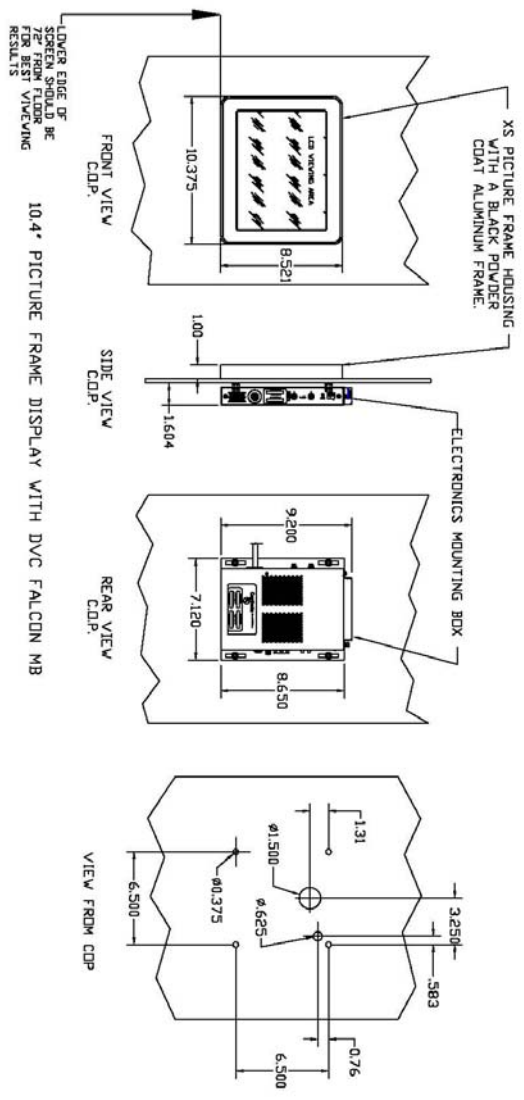


FIGURE 5.2

Copyright © 2003 Capitive Network
 All Rights Reserved
 This drawing is for your use only and is not to be reproduced or used in any way without the express written permission of Capitive Network.

REVISION	DATE	DESCRIPTION	REV BY
1		INITIALS CHANGED FROM [unclear] TO [unclear]	
2		REVISED DRAWING TO [unclear]	
3		REVISED DRAWING TO [unclear]	
4		REVISED DRAWING TO [unclear]	
5		REVISED DRAWING TO [unclear]	
6		REVISED DRAWING TO [unclear]	
7		REVISED DRAWING TO [unclear]	
8		REVISED DRAWING TO [unclear]	
9		REVISED DRAWING TO [unclear]	
10		REVISED DRAWING TO [unclear]	
11		REVISED DRAWING TO [unclear]	
12		REVISED DRAWING TO [unclear]	
13		REVISED DRAWING TO [unclear]	
14		REVISED DRAWING TO [unclear]	
15		REVISED DRAWING TO [unclear]	
16		REVISED DRAWING TO [unclear]	
17		REVISED DRAWING TO [unclear]	
18		REVISED DRAWING TO [unclear]	
19		REVISED DRAWING TO [unclear]	
20		REVISED DRAWING TO [unclear]	
21		REVISED DRAWING TO [unclear]	
22		REVISED DRAWING TO [unclear]	
23		REVISED DRAWING TO [unclear]	
24		REVISED DRAWING TO [unclear]	
25		REVISED DRAWING TO [unclear]	
26		REVISED DRAWING TO [unclear]	
27		REVISED DRAWING TO [unclear]	
28		REVISED DRAWING TO [unclear]	
29		REVISED DRAWING TO [unclear]	
30		REVISED DRAWING TO [unclear]	
31		REVISED DRAWING TO [unclear]	
32		REVISED DRAWING TO [unclear]	
33		REVISED DRAWING TO [unclear]	
34		REVISED DRAWING TO [unclear]	
35		REVISED DRAWING TO [unclear]	
36		REVISED DRAWING TO [unclear]	
37		REVISED DRAWING TO [unclear]	
38		REVISED DRAWING TO [unclear]	
39		REVISED DRAWING TO [unclear]	
40		REVISED DRAWING TO [unclear]	
41		REVISED DRAWING TO [unclear]	
42		REVISED DRAWING TO [unclear]	
43		REVISED DRAWING TO [unclear]	
44		REVISED DRAWING TO [unclear]	
45		REVISED DRAWING TO [unclear]	
46		REVISED DRAWING TO [unclear]	
47		REVISED DRAWING TO [unclear]	
48		REVISED DRAWING TO [unclear]	
49		REVISED DRAWING TO [unclear]	
50		REVISED DRAWING TO [unclear]	
51		REVISED DRAWING TO [unclear]	
52		REVISED DRAWING TO [unclear]	
53		REVISED DRAWING TO [unclear]	
54		REVISED DRAWING TO [unclear]	
55		REVISED DRAWING TO [unclear]	
56		REVISED DRAWING TO [unclear]	
57		REVISED DRAWING TO [unclear]	
58		REVISED DRAWING TO [unclear]	
59		REVISED DRAWING TO [unclear]	
60		REVISED DRAWING TO [unclear]	
61		REVISED DRAWING TO [unclear]	
62		REVISED DRAWING TO [unclear]	
63		REVISED DRAWING TO [unclear]	
64		REVISED DRAWING TO [unclear]	
65		REVISED DRAWING TO [unclear]	
66		REVISED DRAWING TO [unclear]	
67		REVISED DRAWING TO [unclear]	
68		REVISED DRAWING TO [unclear]	
69		REVISED DRAWING TO [unclear]	
70		REVISED DRAWING TO [unclear]	
71		REVISED DRAWING TO [unclear]	
72		REVISED DRAWING TO [unclear]	
73		REVISED DRAWING TO [unclear]	
74		REVISED DRAWING TO [unclear]	
75		REVISED DRAWING TO [unclear]	
76		REVISED DRAWING TO [unclear]	
77		REVISED DRAWING TO [unclear]	
78		REVISED DRAWING TO [unclear]	
79		REVISED DRAWING TO [unclear]	
80		REVISED DRAWING TO [unclear]	
81		REVISED DRAWING TO [unclear]	
82		REVISED DRAWING TO [unclear]	
83		REVISED DRAWING TO [unclear]	
84		REVISED DRAWING TO [unclear]	
85		REVISED DRAWING TO [unclear]	
86		REVISED DRAWING TO [unclear]	
87		REVISED DRAWING TO [unclear]	
88		REVISED DRAWING TO [unclear]	
89		REVISED DRAWING TO [unclear]	
90		REVISED DRAWING TO [unclear]	
91		REVISED DRAWING TO [unclear]	
92		REVISED DRAWING TO [unclear]	
93		REVISED DRAWING TO [unclear]	
94		REVISED DRAWING TO [unclear]	
95		REVISED DRAWING TO [unclear]	
96		REVISED DRAWING TO [unclear]	
97		REVISED DRAWING TO [unclear]	
98		REVISED DRAWING TO [unclear]	
99		REVISED DRAWING TO [unclear]	
100		REVISED DRAWING TO [unclear]	

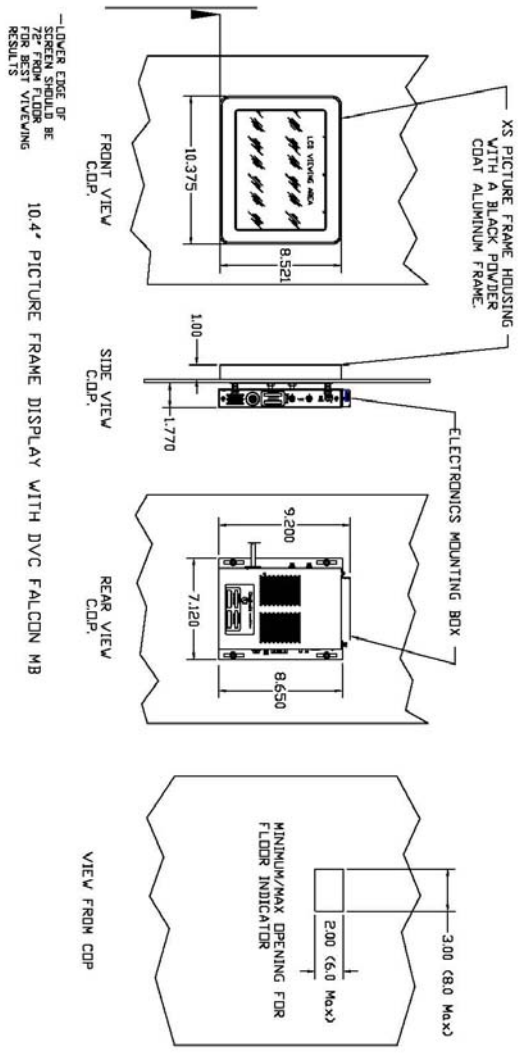
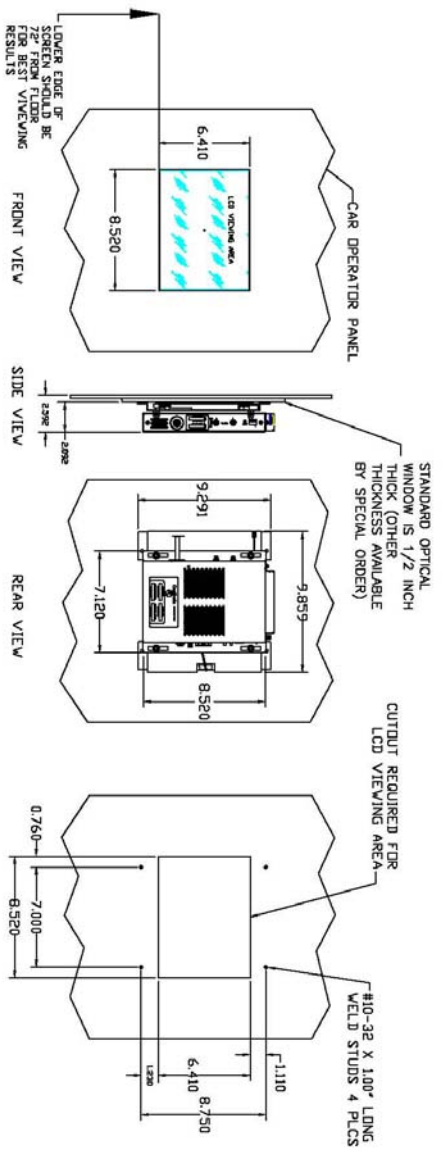


FIGURE 5.3

Copyright © 2001 Cobolite Network
 All rights reserved.
 This drawing, or parts thereof, may not be reproduced in any form, by any method, for any purpose other than that for which it was prepared, without the written permission of Cobolite Network.

MATERIAL	REV	DATE	REVISION DESCRIPTION	REV BY
	1		INITIAL CHANGE SPECIFIED SHOWING ME IN BOLD	
	2		REVISED MEASUREMENTS FOR 10.4" SCREEN	
	3		REVISED MEASUREMENTS FOR 10.4" SCREEN	
	4		REVISED MEASUREMENTS FOR 10.4" SCREEN	
	5		REVISED MEASUREMENTS FOR 10.4" SCREEN	
	6		REVISED MEASUREMENTS FOR 10.4" SCREEN	
	7		REVISED MEASUREMENTS FOR 10.4" SCREEN	
	8		REVISED MEASUREMENTS FOR 10.4" SCREEN	
	9		REVISED MEASUREMENTS FOR 10.4" SCREEN	
	10		REVISED MEASUREMENTS FOR 10.4" SCREEN	
	11		REVISED MEASUREMENTS FOR 10.4" SCREEN	
	12		REVISED MEASUREMENTS FOR 10.4" SCREEN	
	13		REVISED MEASUREMENTS FOR 10.4" SCREEN	
	14		REVISED MEASUREMENTS FOR 10.4" SCREEN	
	15		REVISED MEASUREMENTS FOR 10.4" SCREEN	
	16		REVISED MEASUREMENTS FOR 10.4" SCREEN	
	17		REVISED MEASUREMENTS FOR 10.4" SCREEN	
	18		REVISED MEASUREMENTS FOR 10.4" SCREEN	
	19		REVISED MEASUREMENTS FOR 10.4" SCREEN	
	20		REVISED MEASUREMENTS FOR 10.4" SCREEN	
	21		REVISED MEASUREMENTS FOR 10.4" SCREEN	
	22		REVISED MEASUREMENTS FOR 10.4" SCREEN	
	23		REVISED MEASUREMENTS FOR 10.4" SCREEN	
	24		REVISED MEASUREMENTS FOR 10.4" SCREEN	
	25		REVISED MEASUREMENTS FOR 10.4" SCREEN	
	26		REVISED MEASUREMENTS FOR 10.4" SCREEN	
	27		REVISED MEASUREMENTS FOR 10.4" SCREEN	
	28		REVISED MEASUREMENTS FOR 10.4" SCREEN	
	29		REVISED MEASUREMENTS FOR 10.4" SCREEN	
	30		REVISED MEASUREMENTS FOR 10.4" SCREEN	
	31		REVISED MEASUREMENTS FOR 10.4" SCREEN	
	32		REVISED MEASUREMENTS FOR 10.4" SCREEN	
	33		REVISED MEASUREMENTS FOR 10.4" SCREEN	
	34		REVISED MEASUREMENTS FOR 10.4" SCREEN	
	35		REVISED MEASUREMENTS FOR 10.4" SCREEN	
	36		REVISED MEASUREMENTS FOR 10.4" SCREEN	
	37		REVISED MEASUREMENTS FOR 10.4" SCREEN	
	38		REVISED MEASUREMENTS FOR 10.4" SCREEN	
	39		REVISED MEASUREMENTS FOR 10.4" SCREEN	
	40		REVISED MEASUREMENTS FOR 10.4" SCREEN	
	41		REVISED MEASUREMENTS FOR 10.4" SCREEN	
	42		REVISED MEASUREMENTS FOR 10.4" SCREEN	
	43		REVISED MEASUREMENTS FOR 10.4" SCREEN	
	44		REVISED MEASUREMENTS FOR 10.4" SCREEN	
	45		REVISED MEASUREMENTS FOR 10.4" SCREEN	
	46		REVISED MEASUREMENTS FOR 10.4" SCREEN	
	47		REVISED MEASUREMENTS FOR 10.4" SCREEN	
	48		REVISED MEASUREMENTS FOR 10.4" SCREEN	
	49		REVISED MEASUREMENTS FOR 10.4" SCREEN	
	50		REVISED MEASUREMENTS FOR 10.4" SCREEN	
	51		REVISED MEASUREMENTS FOR 10.4" SCREEN	
	52		REVISED MEASUREMENTS FOR 10.4" SCREEN	
	53		REVISED MEASUREMENTS FOR 10.4" SCREEN	
	54		REVISED MEASUREMENTS FOR 10.4" SCREEN	
	55		REVISED MEASUREMENTS FOR 10.4" SCREEN	
	56		REVISED MEASUREMENTS FOR 10.4" SCREEN	
	57		REVISED MEASUREMENTS FOR 10.4" SCREEN	
	58		REVISED MEASUREMENTS FOR 10.4" SCREEN	
	59		REVISED MEASUREMENTS FOR 10.4" SCREEN	
	60		REVISED MEASUREMENTS FOR 10.4" SCREEN	
	61		REVISED MEASUREMENTS FOR 10.4" SCREEN	
	62		REVISED MEASUREMENTS FOR 10.4" SCREEN	
	63		REVISED MEASUREMENTS FOR 10.4" SCREEN	
	64		REVISED MEASUREMENTS FOR 10.4" SCREEN	
	65		REVISED MEASUREMENTS FOR 10.4" SCREEN	
	66		REVISED MEASUREMENTS FOR 10.4" SCREEN	
	67		REVISED MEASUREMENTS FOR 10.4" SCREEN	
	68		REVISED MEASUREMENTS FOR 10.4" SCREEN	
	69		REVISED MEASUREMENTS FOR 10.4" SCREEN	
	70		REVISED MEASUREMENTS FOR 10.4" SCREEN	
	71		REVISED MEASUREMENTS FOR 10.4" SCREEN	
	72		REVISED MEASUREMENTS FOR 10.4" SCREEN	
	73		REVISED MEASUREMENTS FOR 10.4" SCREEN	
	74		REVISED MEASUREMENTS FOR 10.4" SCREEN	
	75		REVISED MEASUREMENTS FOR 10.4" SCREEN	
	76		REVISED MEASUREMENTS FOR 10.4" SCREEN	
	77		REVISED MEASUREMENTS FOR 10.4" SCREEN	
	78		REVISED MEASUREMENTS FOR 10.4" SCREEN	
	79		REVISED MEASUREMENTS FOR 10.4" SCREEN	
	80		REVISED MEASUREMENTS FOR 10.4" SCREEN	
	81		REVISED MEASUREMENTS FOR 10.4" SCREEN	
	82		REVISED MEASUREMENTS FOR 10.4" SCREEN	
	83		REVISED MEASUREMENTS FOR 10.4" SCREEN	
	84		REVISED MEASUREMENTS FOR 10.4" SCREEN	
	85		REVISED MEASUREMENTS FOR 10.4" SCREEN	
	86		REVISED MEASUREMENTS FOR 10.4" SCREEN	
	87		REVISED MEASUREMENTS FOR 10.4" SCREEN	
	88		REVISED MEASUREMENTS FOR 10.4" SCREEN	
	89		REVISED MEASUREMENTS FOR 10.4" SCREEN	
	90		REVISED MEASUREMENTS FOR 10.4" SCREEN	
	91		REVISED MEASUREMENTS FOR 10.4" SCREEN	
	92		REVISED MEASUREMENTS FOR 10.4" SCREEN	
	93		REVISED MEASUREMENTS FOR 10.4" SCREEN	
	94		REVISED MEASUREMENTS FOR 10.4" SCREEN	
	95		REVISED MEASUREMENTS FOR 10.4" SCREEN	
	96		REVISED MEASUREMENTS FOR 10.4" SCREEN	
	97		REVISED MEASUREMENTS FOR 10.4" SCREEN	
	98		REVISED MEASUREMENTS FOR 10.4" SCREEN	
	99		REVISED MEASUREMENTS FOR 10.4" SCREEN	
	100		REVISED MEASUREMENTS FOR 10.4" SCREEN	

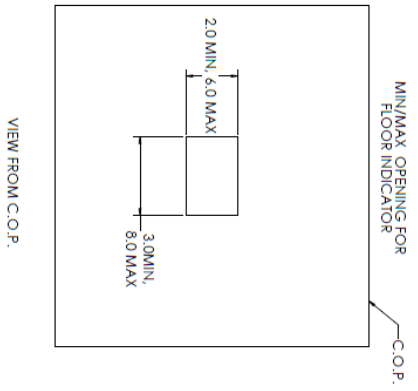
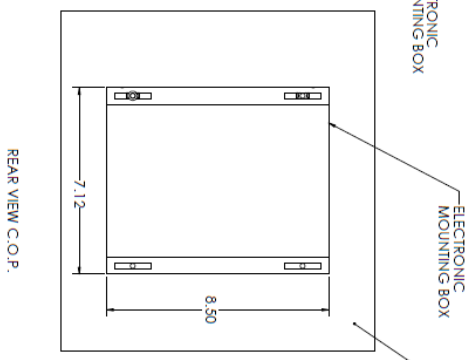
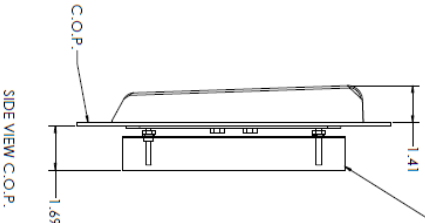
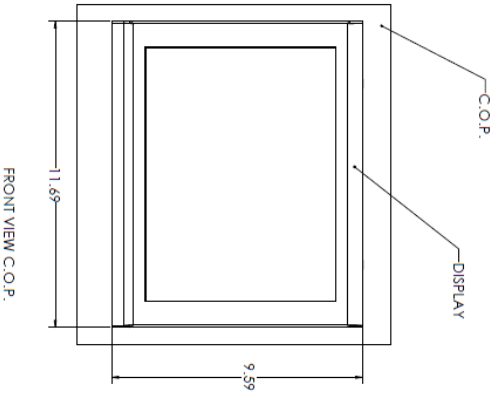


10.4" FLUSH MOUNT DISPLAY WITH FALCON MB

Copyright © 2003 Captivate Networks
 All Rights Reserved
 This drawing, or parts thereof, may not be reproduced, stored in a retrieval system, or transmitted in any form or by any means, electronic, mechanical, photocopying, recording, or by any information storage and retrieval system, without the express written permission of Captivate Networks.

REVISION	DATE	DESCRIPTION	REV BY
1	08/11/03	INITIAL DESIGN PROJECT	...
2	08/11/03	REVISED TO INCLUDE...	...
3	08/11/03	REVISED TO INCLUDE...	...
4	08/11/03	REVISED TO INCLUDE...	...
5	08/11/03	REVISED TO INCLUDE...	...
6	08/11/03	REVISED TO INCLUDE...	...
7	08/11/03	REVISED TO INCLUDE...	...
8	08/11/03	REVISED TO INCLUDE...	...
9	08/11/03	REVISED TO INCLUDE...	...
10	08/11/03	REVISED TO INCLUDE...	...
11	08/11/03	REVISED TO INCLUDE...	...
12	08/11/03	REVISED TO INCLUDE...	...
13	08/11/03	REVISED TO INCLUDE...	...
14	08/11/03	REVISED TO INCLUDE...	...
15	08/11/03	REVISED TO INCLUDE...	...
16	08/11/03	REVISED TO INCLUDE...	...
17	08/11/03	REVISED TO INCLUDE...	...
18	08/11/03	REVISED TO INCLUDE...	...
19	08/11/03	REVISED TO INCLUDE...	...
20	08/11/03	REVISED TO INCLUDE...	...
21	08/11/03	REVISED TO INCLUDE...	...
22	08/11/03	REVISED TO INCLUDE...	...
23	08/11/03	REVISED TO INCLUDE...	...
24	08/11/03	REVISED TO INCLUDE...	...
25	08/11/03	REVISED TO INCLUDE...	...
26	08/11/03	REVISED TO INCLUDE...	...
27	08/11/03	REVISED TO INCLUDE...	...
28	08/11/03	REVISED TO INCLUDE...	...
29	08/11/03	REVISED TO INCLUDE...	...
30	08/11/03	REVISED TO INCLUDE...	...
31	08/11/03	REVISED TO INCLUDE...	...
32	08/11/03	REVISED TO INCLUDE...	...
33	08/11/03	REVISED TO INCLUDE...	...
34	08/11/03	REVISED TO INCLUDE...	...
35	08/11/03	REVISED TO INCLUDE...	...
36	08/11/03	REVISED TO INCLUDE...	...
37	08/11/03	REVISED TO INCLUDE...	...
38	08/11/03	REVISED TO INCLUDE...	...
39	08/11/03	REVISED TO INCLUDE...	...
40	08/11/03	REVISED TO INCLUDE...	...
41	08/11/03	REVISED TO INCLUDE...	...
42	08/11/03	REVISED TO INCLUDE...	...
43	08/11/03	REVISED TO INCLUDE...	...
44	08/11/03	REVISED TO INCLUDE...	...
45	08/11/03	REVISED TO INCLUDE...	...
46	08/11/03	REVISED TO INCLUDE...	...
47	08/11/03	REVISED TO INCLUDE...	...
48	08/11/03	REVISED TO INCLUDE...	...
49	08/11/03	REVISED TO INCLUDE...	...
50	08/11/03	REVISED TO INCLUDE...	...
51	08/11/03	REVISED TO INCLUDE...	...
52	08/11/03	REVISED TO INCLUDE...	...
53	08/11/03	REVISED TO INCLUDE...	...
54	08/11/03	REVISED TO INCLUDE...	...
55	08/11/03	REVISED TO INCLUDE...	...
56	08/11/03	REVISED TO INCLUDE...	...
57	08/11/03	REVISED TO INCLUDE...	...
58	08/11/03	REVISED TO INCLUDE...	...
59	08/11/03	REVISED TO INCLUDE...	...
60	08/11/03	REVISED TO INCLUDE...	...
61	08/11/03	REVISED TO INCLUDE...	...
62	08/11/03	REVISED TO INCLUDE...	...
63	08/11/03	REVISED TO INCLUDE...	...
64	08/11/03	REVISED TO INCLUDE...	...
65	08/11/03	REVISED TO INCLUDE...	...
66	08/11/03	REVISED TO INCLUDE...	...
67	08/11/03	REVISED TO INCLUDE...	...
68	08/11/03	REVISED TO INCLUDE...	...
69	08/11/03	REVISED TO INCLUDE...	...
70	08/11/03	REVISED TO INCLUDE...	...
71	08/11/03	REVISED TO INCLUDE...	...
72	08/11/03	REVISED TO INCLUDE...	...
73	08/11/03	REVISED TO INCLUDE...	...
74	08/11/03	REVISED TO INCLUDE...	...
75	08/11/03	REVISED TO INCLUDE...	...
76	08/11/03	REVISED TO INCLUDE...	...
77	08/11/03	REVISED TO INCLUDE...	...
78	08/11/03	REVISED TO INCLUDE...	...
79	08/11/03	REVISED TO INCLUDE...	...
80	08/11/03	REVISED TO INCLUDE...	...
81	08/11/03	REVISED TO INCLUDE...	...
82	08/11/03	REVISED TO INCLUDE...	...
83	08/11/03	REVISED TO INCLUDE...	...
84	08/11/03	REVISED TO INCLUDE...	...
85	08/11/03	REVISED TO INCLUDE...	...
86	08/11/03	REVISED TO INCLUDE...	...
87	08/11/03	REVISED TO INCLUDE...	...
88	08/11/03	REVISED TO INCLUDE...	...
89	08/11/03	REVISED TO INCLUDE...	...
90	08/11/03	REVISED TO INCLUDE...	...
91	08/11/03	REVISED TO INCLUDE...	...
92	08/11/03	REVISED TO INCLUDE...	...
93	08/11/03	REVISED TO INCLUDE...	...
94	08/11/03	REVISED TO INCLUDE...	...
95	08/11/03	REVISED TO INCLUDE...	...
96	08/11/03	REVISED TO INCLUDE...	...
97	08/11/03	REVISED TO INCLUDE...	...
98	08/11/03	REVISED TO INCLUDE...	...
99	08/11/03	REVISED TO INCLUDE...	...
100	08/11/03	REVISED TO INCLUDE...	...

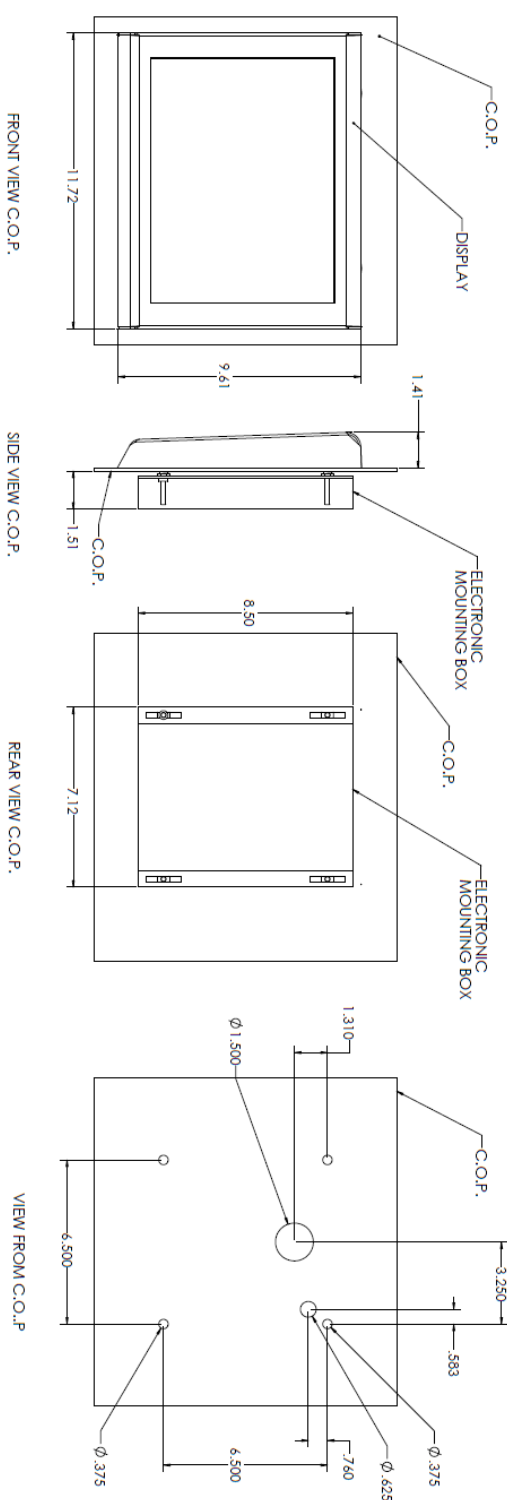
HOLE RISE SIZE



Copyright © 2011 Capclave Network
 All Rights Reserved
 This drawing, or parts thereof, may not be reproduced in any form, by any method, for any purpose without the express written permission of Capclave Network.

MATERIAL:		REV. DATE		REVISION DESCRIPTION		REV. BY:	
FINISH:		DATE: 8/1/11		DRAWING NO.:		REVISION:	
SCALE: 1" = 1"		SHEET 1 OF 1		DATE: 8/1/11		DRAWING NO.:	
DRAWN BY: PJ		CHECKED BY:		DATE: 8/1/11		DRAWING NO.:	
TITLED: 12 INCH SHEET METAL - ZERO PEN		DRAWN BY: PJ		DATE: 8/1/11		DRAWING NO.:	
TITLED: 12 INCH SHEET METAL - ZERO PEN		DRAWN BY: PJ		DATE: 8/1/11		DRAWING NO.:	
TITLED: 12 INCH SHEET METAL - ZERO PEN		DRAWN BY: PJ		DATE: 8/1/11		DRAWING NO.:	

HOLE REQ SIZE

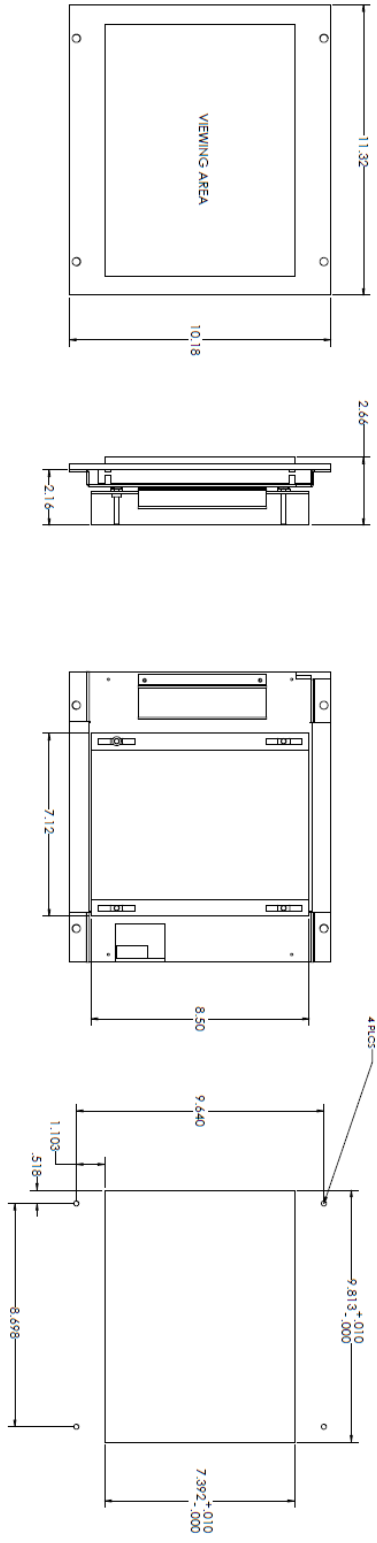


Copyright © 2011 Captivate Network
 All Rights Reserved
 This drawing or parts thereof may not be reproduced in any form, by any method, for any purpose without the express written permission of Captivate Network

MATERIAL	REV	DATE	REVISION DESCRIPTION	REV BY
UNLESS OTHERWISE SPECIFIED DIMENSIONS ARE IN INCHES SERIALS AND/OR PARTIALS 1/16 3/32 1/8 5/16 3/8 1/2 5/8 3/4 7/8 1 1 1/4 1 1/2 1 3/4 2 2 1/4 2 1/2 3 3 1/4 3 1/2 4 4 1/4 4 1/2 5 5 1/4 5 1/2 6 6 1/4 6 1/2 7 7 1/4 7 1/2 8 8 1/4 8 1/2 9 9 1/4 9 1/2 10 10 1/4 10 1/2 11 11 1/4 11 1/2 12 12 1/4 12 1/2 13 13 1/4 13 1/2 14 14 1/4 14 1/2 15 15 1/4 15 1/2 16 16 1/4 16 1/2 17 17 1/4 17 1/2 18 18 1/4 18 1/2 19 19 1/4 19 1/2 20 20 1/4 20 1/2 21 21 1/4 21 1/2 22 22 1/4 22 1/2 23 23 1/4 23 1/2 24 24 1/4 24 1/2 25 25 1/4 25 1/2 26 26 1/4 26 1/2 27 27 1/4 27 1/2 28 28 1/4 28 1/2 29 29 1/4 29 1/2 30 30 1/4 30 1/2 31 31 1/4 31 1/2 32 32 1/4 32 1/2 33 33 1/4 33 1/2 34 34 1/4 34 1/2 35 35 1/4 35 1/2 36 36 1/4 36 1/2 37 37 1/4 37 1/2 38 38 1/4 38 1/2 39 39 1/4 39 1/2 40 40 1/4 40 1/2 41 41 1/4 41 1/2 42 42 1/4 42 1/2 43 43 1/4 43 1/2 44 44 1/4 44 1/2 45 45 1/4 45 1/2 46 46 1/4 46 1/2 47 47 1/4 47 1/2 48 48 1/4 48 1/2 49 49 1/4 49 1/2 50 50 1/4 50 1/2 51 51 1/4 51 1/2 52 52 1/4 52 1/2 53 53 1/4 53 1/2 54 54 1/4 54 1/2 55 55 1/4 55 1/2 56 56 1/4 56 1/2 57 57 1/4 57 1/2 58 58 1/4 58 1/2 59 59 1/4 59 1/2 60 60 1/4 60 1/2 61 61 1/4 61 1/2 62 62 1/4 62 1/2 63 63 1/4 63 1/2 64 64 1/4 64 1/2 65 65 1/4 65 1/2 66 66 1/4 66 1/2 67 67 1/4 67 1/2 68 68 1/4 68 1/2 69 69 1/4 69 1/2 70 70 1/4 70 1/2 71 71 1/4 71 1/2 72 72 1/4 72 1/2 73 73 1/4 73 1/2 74 74 1/4 74 1/2 75 75 1/4 75 1/2 76 76 1/4 76 1/2 77 77 1/4 77 1/2 78 78 1/4 78 1/2 79 79 1/4 79 1/2 80 80 1/4 80 1/2 81 81 1/4 81 1/2 82 82 1/4 82 1/2 83 83 1/4 83 1/2 84 84 1/4 84 1/2 85 85 1/4 85 1/2 86 86 1/4 86 1/2 87 87 1/4 87 1/2 88 88 1/4 88 1/2 89 89 1/4 89 1/2 90 90 1/4 90 1/2 91 91 1/4 91 1/2 92 92 1/4 92 1/2 93 93 1/4 93 1/2 94 94 1/4 94 1/2 95 95 1/4 95 1/2 96 96 1/4 96 1/2 97 97 1/4 97 1/2 98 98 1/4 98 1/2 99 99 1/4 99 1/2 100 100 1/4 100 1/2	1	07/25/11	12 INCH SHEET METAL FRONT FIXED	P2



HOLE REQ SIZE



FRONT VIEW

SIDE VIEW

BACK VIEW

CUT OUT

Copyright © 2011 Capitate Network
 All Rights Reserved
 This drawing or parts thereof may not be reproduced in any form, by any method, for any purpose without the express written permission of Capitate Network

MATERIAL:	REV	DATE	REVISION DESCRIPTION	REV BY
	1	06 11	UNLESS OTHERWISE SPECIFIED DIMENSIONS ARE IN INCHES DECIMALS INCLUDE FRACTIONAL DIMENSIONS 1/16" = .0625" 1/32" = .03125" 3/32" = .09375" 1/8" = .125" 5/16" = .3125" 3/8" = .375" 1/2" = .500" 5/8" = .625" 3/4" = .750" 7/8" = .875" 1" = 1.000" DO NOT SCALE THIS DRAWING UNLESS OTHERWISE NOTED EXCEPT AS NOTED DATE: 6-20-11 DRAWING NO.: 12 INCH LOGS FLUSH MOUNT	PI
FINISH:				
SCALE:	1	OF 1		
DWG NO:	D	SHEET		

